

1983

CHEVROLET

GMC

LIGHT DUTY TRUCK

CK ST P & G-VAN

WIRING MANUAL

ELECTRICAL CIRCUIT IDENTIFICATION FOR WIRING DIAGRAMS

Circuit Number	Circuit Color	Circuit Name
2	Red	Feed, Battery - Unfused
3	Pink	Feed, Ign. Sw. "On & Crank" Controlled, Unfused
4	Brown	Feed, Ign. Sw. "Accsy & On" Controlled, Unfused
5	Yellow	Neutral Safety Start Sw. or Start Relay Feed
6	Purple	Starter Solenoid Feed
7	Yellow	Primary Ignition Resistance By-Pass
8	Gray	Instrument and Panel Lights (Fused No. 44 Cir.)
9	Brown	Tail, License, Park and Side Marker Lamp Feed
10	Yellow	Dimmer Sw. Feed
11	Light Green	Headlamp Feed, Hi-Beam
12	Tan	Headlamp Feed, Lo-Beam
13	Purple	Front Parking Lamps
14	Light Blue	L.H. Indicator and Front Directional Lamps
15	Dark Blue	R.H. Indicator and Front Directional Lamps
16	Purple	Directional Signal Sw., Feed From Flasher
17	White	Directional Signal Sw., Feed From Stop Sw.
18	Yellow	Stop and Directional Lamp or Directional Lamp Only - Rear L.H.
19	Dark Green	Stop and Directional Lamp or Directional Lamp Only - Rear R.H.
20	Light Blue	Stop Lamp (Only)
21	Pink	Spot Light
22	White	Direct Ground - Trailer
24	Light Green	Back Up Lamp Feed
25	Brown	Feed, Voltage Regulator Controlled
26	Dark Blue	Field Circuit (F) (Gen/Reg.)
27	Brown	Traffic Hazard Sw., Feed From Hazard Flasher
28	Black	Ground, Horn Sw. Controlled
29	Dark Green	Horn Feed
30	Pink	Fuel Gauge to Tank Unit
31	Tan	Oil Pressure, Engine
32	Yellow	Map Light Feed
33	Tan-White	Warning Light - Brake
34	Purple	Fog or Drive Lamp
35	Dark Green	Ground, Eng. Coolant Temp. Sw. or ECM Controlled (Hot)
36	Light Green	Ground, Eng. Temp. Sw. Controlled (Cold)

Circuit Number	Circuit Color	Circuit Name
37	Light Green	Ground, Eng. Metal Temp. Sw. Controlled (Hot)
38	Dark Blue	Flasher Fused Feed
39	Pink-Black	Feed, Ign. Sw. "On and Crank" Controlled - Fused
40	Orange	Feed, Battery - Fused
41	Brown-White	Feed, Ign. Sw. "Accsy and On" Controlled - Fused
42	Yellow	Feed, A/C Auto Relay Controlled
43	Yellow	Radio Feed
44	Dark Green	I.P. and Lights Feed (Usually Light Sw. to Fuse)
45	Black	Marker and Clearance Lamps (Trailers)
46	Dark Blue	Rear Seat Speaker Feed From Single Radio or Right Stereo
47	Dark Blue	Auxiliary Circuit (Trailer)
48	Gray	Tail Lp. - Headlamp Sw. "On" - or Dir. Signal and Stop - Headlamp Sw. "Off" Rear L.H.
49	Dark Blue	Tail Lp. - Headlamp Sw. "On" - or Dir. Signal and Stop - Headlamp Sw. "Off" Rear R.H.
50	Brown	Feed, Ign. Sw. "On" Controlled - Fused
51	Yellow	Blower Resistor Feed - Low
52	Orange	Feed, Blow Sw. "Hi" or Selector Sw. "Max Cold" Controlled
53	Light Green	Valve Release Solenoid to Control Box
54	Dark Green	Control to Shield
55	Orange	Kick Down Solenoid Feed
56	Tan	Amplifier to Transducer
57	Orange	L.H. Cornering Lamp Feed
58	Black	R.H. Cornering Lamp Feed
59	Dark Green	Compressor Feed
60	Orange-Black	Feed, Battery, Circuit Breaker Protected
61	Yellow	Ground, Resistive, Auto A/C Amb. Sensor Controlled
62	Light Green	Ground, Resistive, Auto A/C Feed Back Pot Controlled
63	Tan	Feed, Blower Sw. "Medium 1" Controlled
64	Brown	Blower Sw. Feed From A/C Selector Sw.
65	Purple	Blower Motor Feed
66	Light Green	Feed, A/C Selector Sw. Controlled (Comp. Ct.)
67	Light Blue	Feed, A/C Freon Press, Cut-Out Sw. Controlled

2 WIRING DIAGRAMS

ELECTRICAL CIRCUIT IDENTIFICATION FOR WIRING DIAGRAMS (Cont'd)

Circuit Number	Circuit Color	Circuit Name
68	Yellow-Black	Ground, Resistive, Low Coolant Probe Controlled
69	Gray	Ground Low Coolant Module Controlled
70	Pink	Feed, Relay Controlled, Ign. Sw. Controlled
71	Black	Ground, A/C Selector Sw. "Def" Controlled
72	Light Blue	Feed, Blower Sw. "Medium 2" Controlled
73	Purple-White	Feed, Blower Sw. "Medium 3" Controlled
74	Light Green	Feed to Throttle Switch
75	Dark Blue	Feed, Ign. Sw. "On and Crank" Controlled - Fused
76	Pink	Feed, Ign. Sw. Controlled
78	Light Blue	Electric Choke Feed
80	Light Green	Ground Key Warning Buzzer
81	Nat. White	Electric Remote Mirror, Right
82	Light Blue	Electric Remote Mirror, Left
83	Dark Green	Feed, Cruise Engage Sw. "Retard" Controlled
84	Dark Blue	Feed, Cruise Engage Sw. "Engage" Controlled
85	White	Ground, Cruise Indicator Regulator Controlled
86	Brown	Feed, Cruise Brake Release Sw. Controlled
87	Gray-Black	Feed, Resume Solenoid, Brake Switch Controlled
88	Yellow	Electric Remote Mirror, Up
89	Light Green	Electric Remote Mirror, Down
90	Pink	Feed, Cutout Sw. Controlled, Cir. Brkr. Protected
91	Gray	Windshield Wiper - Low
92	Purple	Windshield Wiper - Hi
93	White	Windshield Wiper Motor Feed
94	Pink	Windshield Washer Sw. to Washer
95	Dark Green	Ground, Pulse Wiper Sw. Controlled
96	Brown	Feed, Pulse Wiper Rheostat Sw. Controlled
97	Light Blue	Windshield Wiper, Pulse Low
98	Orange	Feed, Dynamic Break, "B-Plus" Switch Wiper Motor
99	Black-White	Windshield Washer Low Fluid
101	Dark Blue	Resistor Output to Blower Relay
102	White	SL Alternator - Regulator Sensing Circuit
105	Black	Ammeter - Generator
106	Gray	Ammeter - Battery

Circuit Number	Circuit Color	Circuit Name
107	Dark Blue	Over Speed Warning Light
111	Black	Ground, Anti-Ski Low Air Sw. Controlled
112	Dark Green	Telltale Temperature Gauge (Hot)
115	Light Blue	Speaker Return, RT rr Stereo
116	Yellow	Speaker Return, LF rr Stereo
117	Dark Green	Speaker Return, RT Frt. Stereo
118	Gray	Speaker Return, LF Frt. Stereo
119	White	Generator (Alternator) to Regulator
120	Purple	Electric Fuel Pump Feed
121	White	Tachometer to Coil
125	Yellow	Door Jamb Switch
126	Black	Seat Back Lock Feed
130	Brown-White	Generator (Alternator) Ext. Resist. 2 Ohms/Foot
131	Black-Pink	Generator (Alternator) Ext. Resist. 1 Ohm/Foot
132	White	Ground, Fuel Economy Sw. Controlled, Amber Telltale
133	Yellow	Ground, Fuel Economy Sw. Controlled, Grn. Telltale
135	Dark Green White	Ground, Resistive, Temp. Gauge Sensor Controlled
136	Dark Blue	Ground, Vacuum Switch Controlled, Turbo Boost Telltale
137	Natural- White	Ground, Vacuum Switch Controlled, Turbo Boost Economy Telltale
139	Pink-Black	Feed, Ign. Sw. "On and Crank" Controlled - Fused
140	Orange	Feed, Battery - Fused
141	Brown-White	Feed, Ign. Sw., "Accsy and On" Controlled
142	Black	Rr Compartment Lid Lock Release
143	Pink	Feed Radio Sw. "On" Controlled
144	Yellow	Feed to Pwr Ant Sw.
145	Dark Green	Feed, Pwr Ant Up, Relay Controlled
146	Dark Green	Ground, Trunk Release Tell-Tale
150	Black	Ground Circuit - Direct
151	Black	Ground Circuit - Direct
152	Black	Ground Circuit - Direct
153	Black	Ground Circuit - Direct
154	Black	Ground Circuit - Direct
155	Black	Ground Circuit - Direct

ELECTRICAL CIRCUIT IDENTIFICATION FOR WIRING DIAGRAMS (Cont'd)

Circuit Number	Circuit Color	Circuit Name	Circuit Number	Circuit Color	Circuit Name
156	White	Ground Circuit - Sw. Controlled Body Interior Lamps - Such as Dome, Courtesy, Map, Warning, etc.	190	Yellow	Power Seat - 4-Way - Aft and Up
157	Gray	Ground Circuit - Sw. Controlled - Body Interior Lamps - Such as Dome, Courtesy, Map, Warning etc.	191	Light Green	Power Seat - 4-Way Solenoid - Up and Down
158	Black-Orange	Ground Circuit - Sw. Controlled - Body Interior Lamps - Such as Dome, Courtesy, Map, Warning etc.	192	Purple	Defogger - Hi or Single Speed
159	Tan	Ground, Key Warning Buzzer	193	Purple-White	Defogger - Low Speed - 0.38 Ohms per foot
160	White	Power Antenna Down	194	Black	Electric Door Lock - Unlock
161	Black	Power Antenna Up	195	Light Blue	Electric Door Lock - Lock
162	Gray	Power Top - Up	198	Light Green	Ground, Resistive, A/C In-Car Sensor Controlled
163	Purple	Power Top - Down		Black	
164	Dark Blue	Window Control LF Up	199	Brown	Rear Seat Speaker - Feed from Radio Left Stereo
165	Brown	Window Control LF Down	200	Light Green	Front Speaker - Feed from Radio Single or Right Stereo
166	Dark Blue-White	Window Control RF Up	201	Tan	Front Speaker - Feed from Radio Left Stereo
167	Tan	Window Control RF Down	202	Black	Ground, Compressor over Heat Sw. Controlled
168	Dark Green	Window Control LR Up	203	Light Blue	Rear A/C Potentiometer Feed
169	Purple	Window Control LR Down	204	Dark Blue	Thermal Limiter Feed
170	Light Green	Window Control RR Up	205	White-Black	Seat Belt Seat Sensor to Belt Retractor (Grd)
171	Purple-White	Window Control RR Down	206	Dark Blue	Neutral Start Sw. to Buzzer and Lamp
172	Light Green	Vent Control LF Close	207	Yellow	Seat Sensor to Neutral Start Sw. (Lamp and Buzzer Grd)
173	Yellow	Vent Control LF Open	208	Gray	Sw. Controlled Ground (TCS)
174	Dark Green	Vent Control RF Close	209	Purple	Park Brake Warning Lamp
175	Purple	Vent Control RF Open	210	White	Power Seat - 6-Way - Fore and Down - "A" Body
176	Dark Green	Power Seat Fore	211	Dark Blue	Power Seat - 6-Way - Aft and Up - "A" Body
177	Yellow	Power Seat Aft or Recline	212	Yellow-Black Stripe	LH Seat Sensor
178	Dark Green	Power Seat - 6-Way Fore and Aft	213	Dark Blue	Center Seat Sensor
179	Tan	Power Seat - 6-Way Solenoid - Rear - Up and Down	214	Gray	RH Seat Sensor
180	Light Green	Power Seat - 6-Way Solenoid - Front - Up and Down	215	Tan-Black	LH Sw.
181	Light Blue	Power - Solenoid - Fore and Aft	216	Dark Blue-White	Center Buckle Sw. (Feed)
182	Yellow	Power Seat - 6-Way - Aft and Down	217	Gray-White	RH Sw.
183	Light Blue	Tailgate or Center Partition Window Up	218	Dark Green	Interlock Relay - Ground (Provided by Electronics)
184	Tan-White	Tailgate or Center Partition Window Down	219	Light Green-Black	Starter Interlock Controlled Starter Feed
185	Tan	Vent Control LR Open	220	Yellow	Starter Interlock Buz and Lp Feed
186	Gray	Vent Control LR Close	221	Brown	Passenger Initiator Feed, Low Level, IR
187	Dark Blue	Vent Control RR Open	222	Dark Blue	Passenger Initiator Return, Low Level, IR
188	Light Blue	Vent Control RR Close			
189	Dark Green	Power Seat - 4-Way - Fore and Down			

4 WIRING DIAGRAMS

ELECTRICAL CIRCUIT IDENTIFICATION FOR WIRING DIAGRAMS (Cont'd)

Circuit Number	Circuit Color	Circuit Name
223	Light Blue	Sensor Detector Hi Return, Low Level, IR
224	Light Green	Sensor Detector Lo Feed, Lo Feed, Low Level, IR
225	Dark Green	Warning Lamp Ground IR
226	Orange	Warning Lamp Sensor
227	Tan	Recorder to Sensor Power Feed
228	Yellow	Warning Lamp Feed
229	Pink	Sensor Detector Hi Feed, Lo Level IR
230	Pink	Recorder Power Feed
231	Orange	Driver Initiator Feed, IR
232	White	Driver Initiator Return, IR
233	Dark Green	Hi Level Actuation Passenger (Inactive)
234	Yellow	IR Feed, Ign. Sw. Controlled, Unfused
235	Yellow	Sensor Detector Hi Feed - Hi Level IR
236	Gray	Sensor Detector Hi Return - Hi Level IR
237	Yellow	Feed, Belt Warn Timer Controlled (Timed 39 Ct.)
238	Black	Seat Belt Warn System - Buzzer Ground to Belt Assy Sw.
239	Pink-Black	Feed, Ign. Sw. "On & Crank" Controlled - Fused
240	Orange	Feed, Battery - Fused
241	Purple	Sensor Detector Lo Feed, Hi Level, IR
242	Tan	Feed, Throttle Control Spark Valve Controlled
243	Black-White	Feed, Drive Selector Sw. Controlled
244	Purple	Feed, LT F/D Solenoid Relay Controlled
245	Dark Blue	Feed, RT F/D Solenoid Relay Controlled
246	Dark Green	Feed, ADL Lock Relay Coil
247	Brown	Feed, to A/C Shut-Off Relay
248	Dark Blue	Feed, to A/C Compressor Harn Relay Controlled
249	Dark Green	Feed, From A/C Harn
250	Brown	Feed, Ign. Sw. on Controlled, Fused
251	Orange	Passenger Initiator Feed
252	Yellow	Ground, ADL Module Unlock Output Controlled
253	Dark Brown	Ground, ADL Module Lock Output Controlled
254	Light Green	Ground, ADL LT Unlock Relay Coil

Circuit Number	Circuit Color	Circuit Name
255	Yellow	Ground, ADL RT Unlock Relay Coil
256	Dark Blue	Ground, Module Controlled, Lamp Out Indicator
257	Brown	Ground, A/C Press, Sw. Controlled
258	White	Passenger Initiator Return Hi Level, IR
259	Purple	IR Crank Start Signal - Fused 6 Cir.
260	Black	Theft Deterrent - Hood Sw.
261	Yellow	Theft Deterrent - Alarm Arm
262	Light Green	Theft Deterrent - Key - Door Unlock and Alarm Disarm
263	Light Blue	Theft Deterrent - Alarm
264	Dark Green	Theft Deterrent - Arm Indication
265	Black-White	Theft Deterrent - Alarm Output
266	Pink	Theft Deterrent - Alarm Arm Abort
267	Dark Green	Pwr Seat - Fore and Up Recliner
268	Yellow	Pwr Seat - Aft and Down Recliner
269	Light Green	Pwr Seat - Sol Up and Down Recliner
270	Black-Yellow	Feed, Amplifier to Potentiometer
271	Purple	Ground, Potentiometer Controlled
272	Light Green	Feed, Potentiometer Rheostat Controlled
273	Orange	Feed, Hdlp Sw. to Amplifier, Hdlp Sw. Controlled
274	Dark Green-White	Feed, Hdlp Sw. to Amplifier
275	Light Green	Feed, Neut. Saf. Start Sw. "Park" Controlled
276	Light Green	Recl. Mtr. Feed, Power St. Fwd.
277	Light Blue	Recl. Mtr. Feed, Power St. Recliner
278	White	Amplifier to Photocell
279	Black	Headlamp Sw. to Photocell
280	Pink	Feed, P.M. Motor Up Cycle (Deck Lid Pull Down)
281	White	Ground, Relay Coil Down Cycle (Deck Lid Pull Down)
282	Yellow	Power Seat, Rear Vert Up - Motor
283	Light Blue	Power Seat, Rear Vert Down - Motor
284	Light Green	Power Seat, Aft Motor
285	Tan	Power Seat, Fore Motor
286	Dark Green	Power Seat, Front Vert Up - Motor
287	Dark Blue	Power Seat, Front Vert Down - Motor

ELECTRICAL CIRCUIT IDENTIFICATION FOR WIRING DIAGRAMS (Cont'd)

Circuit Number	Circuit Color	Circuit Name	Circuit Number	Circuit Color	Circuit Name
288	Yellow-Black	Power Seat, Rear Vert Up Relay	395	Light Blue	Ground, RT F/D Remote Handle Sw. Controlled
289	Light Blue-Black	Power Seat, Rear Vert Down Relay	402	Light Green	Feed, Electronic Cruise Control Valve
290	Light Green-Black	Power Seat, Aft Relay	403	Dark Blue	Feed, Electronic Cruise Shut-Off Valve
291	Dark Blue	Ground, Heated Glass Timer, On-Off Sw. Controlled	404	Light Green	EST Pickup Coil to HEI Module, High
292	Light Blue	Feed, Heated Glass Timer, On-Off Sw. Controlled	405	White	EST Pickup Coil to HEI Module, Low
293	Purple-White	Feed, Heated Glass Timer Controlled	406	White-Green	ESC Module to HEI Module, Signal Lead
294	Tan	Door Lock Motor - Unlock	407	Black	Emergency Signal Lead, ECM to HEI Module
295	Gray	Door Lock Motor - Lock	408	Tan-White	ECM to ESC Bypass
296	Brown	Power Seat, Fore Relay	410	Yellow	ECM to Coolant Temp Sensor
297	Gray	Power Seat, Front Vert Up Relay	411	Light Blue	ECM to Fuel Metering Sol
298	Purple	Power Seat, Front Vert Down Relay	412	Purple	O ₂ Sensor Sig
300	Orange	Feed, Ign. Sw., "On" Controlled - Unfused	413	Tan	O ₂ Sensor Low
318	Yellow-Black Stripe	Relay Activated Left Directional Lamp	414	Pink	O ₂ Sensor Heater High
319	Dark Green-White	Relay Activated Right Directional Lamp	415	Light Green	ECM to Enrichment Sw.
339	Pink-Black	Feed, Ign. Sw. On and Crank Controlled Fused	416	Gray	ECM 5V Reference Voltage
340	Orange	Feed, Battery - Fused	417	Dark Blue	ECM to Throttle Position Sensor Signal
350	Pink-White	Feed, Ign. Sw. "On" Controlled - Fused	418	Brown	ECM to Adaptive Sw.
351	Dark Blue	Feed, Inverter to Opera Lamp	419	Brown-White	ECM to Check Eng Lp
352	White	Opera Lamp to Inverter Return	420	Purple	ECM to Break Sw.
370	Pink	Feed, Avl	421	Dark Blue-White	ECM to Cold Start Program Modifier
382	Light Blue-Black	Low Vacuum Switch to Four Wheel Drive Relay	422	Tan-Black	ECM to TCC Solenoid
383	Light Blue	Convert Clutch Release Sw. to Vac. Sw.	423	White	EST Signal
384	Light Green	Vac. Sw. to Transmission Sw. Sol	424	Tan-Black	EST Bypass
385	Purple	Hi Vac Sw. to Transmission Sw. Sol	425	Light Blue	ECM to ISC-Motor Extend
386	Yellow	Exhaust Gas Recirculation Bleed Solenoid to Torque Converter Clutch Pressure Switch	426	Dark Blue	ECM to ESC-Motor Retract
387	Orange	Torque Converter Clutch Pressure Switch to Transmission Solenoid	427	Pink	ECM to ISC-Sw.
390	Tan	Feed to Side Marker and License Lamp - Export Only	428	Dark Green-Yellow	ECM to Canister Purge
391	Gray	Rear Window Wiper Low	429	Black-Pink	ECM to Air Control Solenoid
392	Dark Green	Feed, Rear Window Wiper Switch to Washer	430	Purple-White	ECM Ref Pulse High
393	White	Feed, Rear Window Wiper	431	Light Green-Black	8V Ref Voltage
394	Light Green-Black	Ground, LT F/D Remote Handle Sw. Controlled	432	Light Green	ECM to Map Sig
			433	Gray-Black	ECM to Baro Sig
			434	Orange-Black	ECM to Neutral Park Sw
			435	Gray	Electronic Control Module to Exhaust Gas Recirculation Solenoid
			436	Brown	ECM to Air Switch Solenoid
			437	Brown	ECM to Vehicle Speed Sensor
			438	Dark Green-White	ECM to High Gear Switch

6 WIRING DIAGRAMS

ELECTRICAL CIRCUIT IDENTIFICATION FOR WIRING DIAGRAMS (Cont'd)

Circuit Number	Circuit Color	Circuit Name
439	Pink-Black	Feed Ign. Sw. "On & Crank" Controlled - Fused
440	Orange	Feed, Battery - Fused
441	Light Blue-Red	Electronic Control Module to Idle Air Control Coil A, High
442	Light Blue-Black	Electronic Control Module to Idle Air Control, Coil A, Low
443	Light Green-Red	Electronic Control Module to Idle Air Control, Coil B, High
444	Light Green-Black	Electronic Control Module to Idle Air Control, Coil B, Low
450	Black-White	CLCC ECM Power Grd
451	White-Black	Diagnostic Enable
452	Black	Low Level Ground
453	Black-Red	EST Ref Pulse Low
454	Black-White	Critical Ground Circuit
460	Black-Orange	Feed, Battery Circuit Breaker Protected
461	Orange	IMC to ECC, Serial Data for MPG or Diagnostics
462	Pink-Black	Ground, IMC, Set Timing
463	Black-Orange	IMC to Trip Computer Signal, Fuel Flow Data (Injector on Time)
464	Tan-Black	MPG Reset Signal
465	Dark Green-White	Feed, Electric Fuel
466	Gray	IMC to Trip Computer, RPM Data
467	Light Blue	Low Side of Injector "A" IMC Controlled
468	Light Green	Low Side of Injector "B" IMC Controlled
469	Black-Orange	Map Return, Low Level Ground
470	Black	Coolant Temp and Manifold Temp Return, Low Level Grd
471	Pink-Black	Baro Reference Voltage, 5V
472	Tan	Manifold Air Temp Sig
473	Black-Light Blue	Baro Return, Low Level Ground
474	Gray	Throttle Position Sensor Excitation, 5V
475	Pink-White	Map Reference Voltage, 5V
476	Black-Pink	Throttle Position Sensor Return, Low Level Grd
477	Brown	MPG Request Signal
478	Purple	Fuel Economy Indicator (Grn), IMC Controlled
479	Light Green-Black	Fuel Economy Indicator (Amber), IMC Controlled
480	Orange	Feed, IMC Battery Controlled, Fused
481	Red	Feed, for Injector "A" Fused

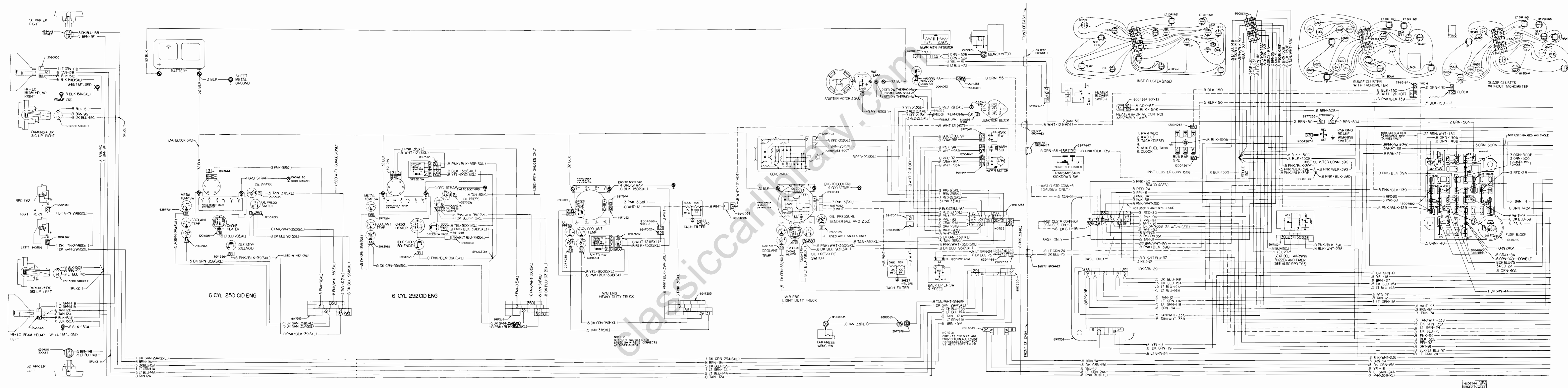
Circuit Number	Circuit Color	Circuit Name
482	White	Feed, for Injector "B" Fused
483	Green	ESC Reference Pulse High
484	White	ESC Reference Pulse Low
485	Black	ESC Signal
486	Brown	ESC Distributor Grd
496	Dark Blue	ESC Denotation Sensor Input
500	Black-White	Module - PTC, Ground Plane
501	Purple	Sensor, Secondary PTC
502	Gray	Sensor, Primary PTC
503	Orange	Glow Plug, Feed or Sensor
504	Brown-White	Feed, Voltage Regulator Control (Diode Isolated)
505	Yellow	Feed, Glow Plug Relay
506	Light Blue	Return, Glow Plug Relay
507	Dark Blue	Wait Lamp
508	Yellow-Black	Switched Grd for "Water-in- Tank" Indicator
509	Orange-Black	Glow Plug, Feed or Sense, Passenger Side
610	Tan	Power Seat - 6-Way - Fore and Down Relay to Motor
611	Light Blue	Power Seat - 6-Way - Aft and Up, Relay to Motor
618	Yellow-Black	Feed, Lt Side Trailer and Direction
619	Green-White	Feed, Rt Side Trailer and Direction
666	Dark Blue	Wdo Control Rf Up - Passenger Sw.
667	Brown	Wdo Control Rf Down - Passenger Sw.
668	Dark Blue	Wdo Control Lr Up - Lr Sw.
669	Brown	Wdo Control Lr Down - Lr Sw.
670	Dark Blue	Wdo Control RR Up - RR Sw.
671	Brown	Wdo Control RR Down - RR Sw.
756	Dark Green-White	Feed, Vac Sol Controlled (For Electronic Distributor)
801	Brown	Feed, EFI Battery Controlled, Fusible Link Protected
804	Purple	Feed, EFI, Ign. Sw. "Crank" Controlled, Fusible Link Protected
807	Purple	Feed, EFI Battery Controlled, Fused
808	Dark Blue	Feed, EFI Module Fast Idle Valve Output and 3 Circuit Controlled - Fused
810	Tan	Feed, Distributor Electronics Controlled
811	White	Feed, EFI Module Group Two Injector Output Controlled Fusible Link Protected
812	Pink	Feed, EFI Module Group One Injector Output Controlled Fusible Link Protected

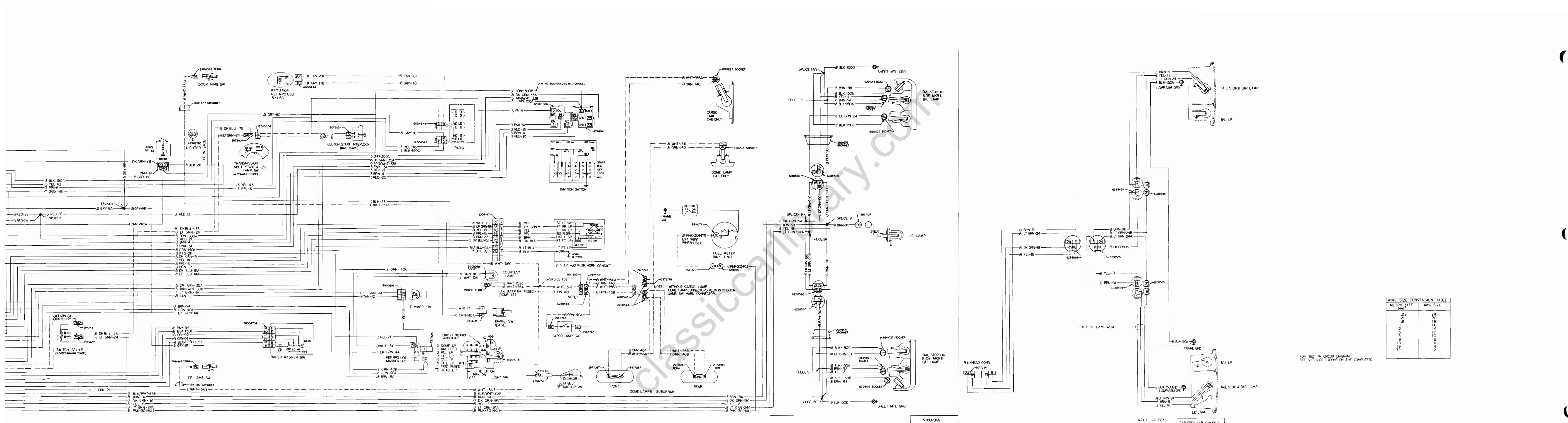
ELECTRICAL CIRCUIT IDENTIFICATION FOR WIRING DIAGRAMS (Cont'd)

Circuit Number	Circuit Color	Circuit Name
813	White	Feed, EFI Distributor Trigger and 815 Circuit Controlled, Fused
814	Yellow	Feed, EFI Distributor Trigger and 815 Circuit Controlled, Fused
815	Black	Feed, EFI Module Distributor Trigger Output Controlled, Fused
816	Pink	Accelerator Enrichment Input #2
817	Tan	Accelerator Enrichment Input #1
818	Light Green	Accelerator Enrichment Sw. Supply Voltage
819	Black-White	Closed Throttle Sw.
820	Orange	Wide Open Throttle Switch

Circuit Number	Circuit Color	Circuit Name
821	Dark Green	Ground, EFI Module Coolant Temp. Sensor Output Controlled
822	Dark Blue	Ground Resistive, Coolant Temp. Sensor Controlled
823	Gray	Ground, EFI Module Air Temp. Sensor Output Controlled
824	Orange	Ground, Resistive Air Temp. Sensor Controlled
827	Dark Green	Feed, EFI Module Elec Fuel Pump Output Controlled - Fused
828	Gray	Feed, EFI, Ign. Sw. "On & Crank" Controlled Fused
831	Brown	Feed, EFI Module EGR Solenoid Output Controlled, Fused

classiccarrlibrary.com



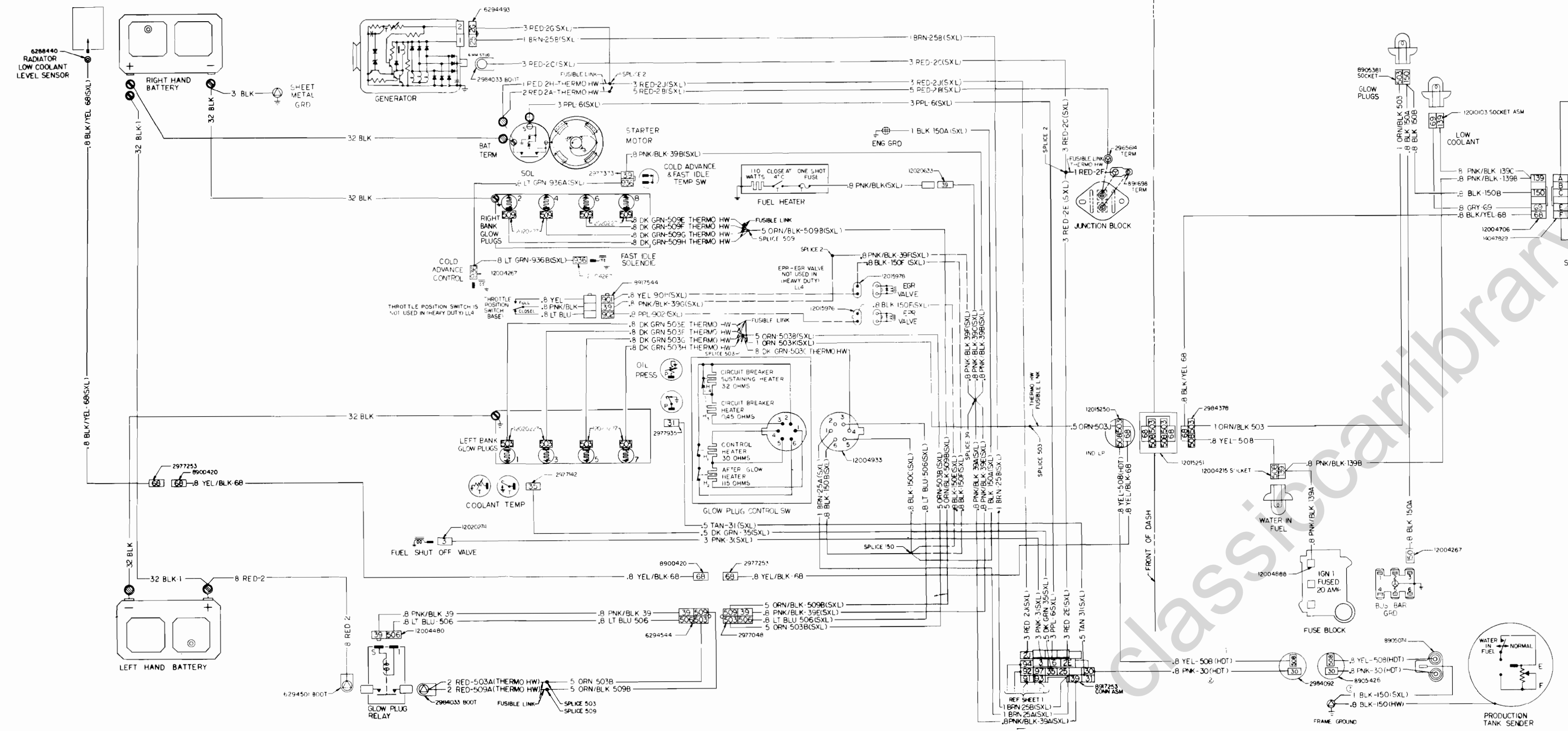


WIRE SIZE CONVERSION TABLE

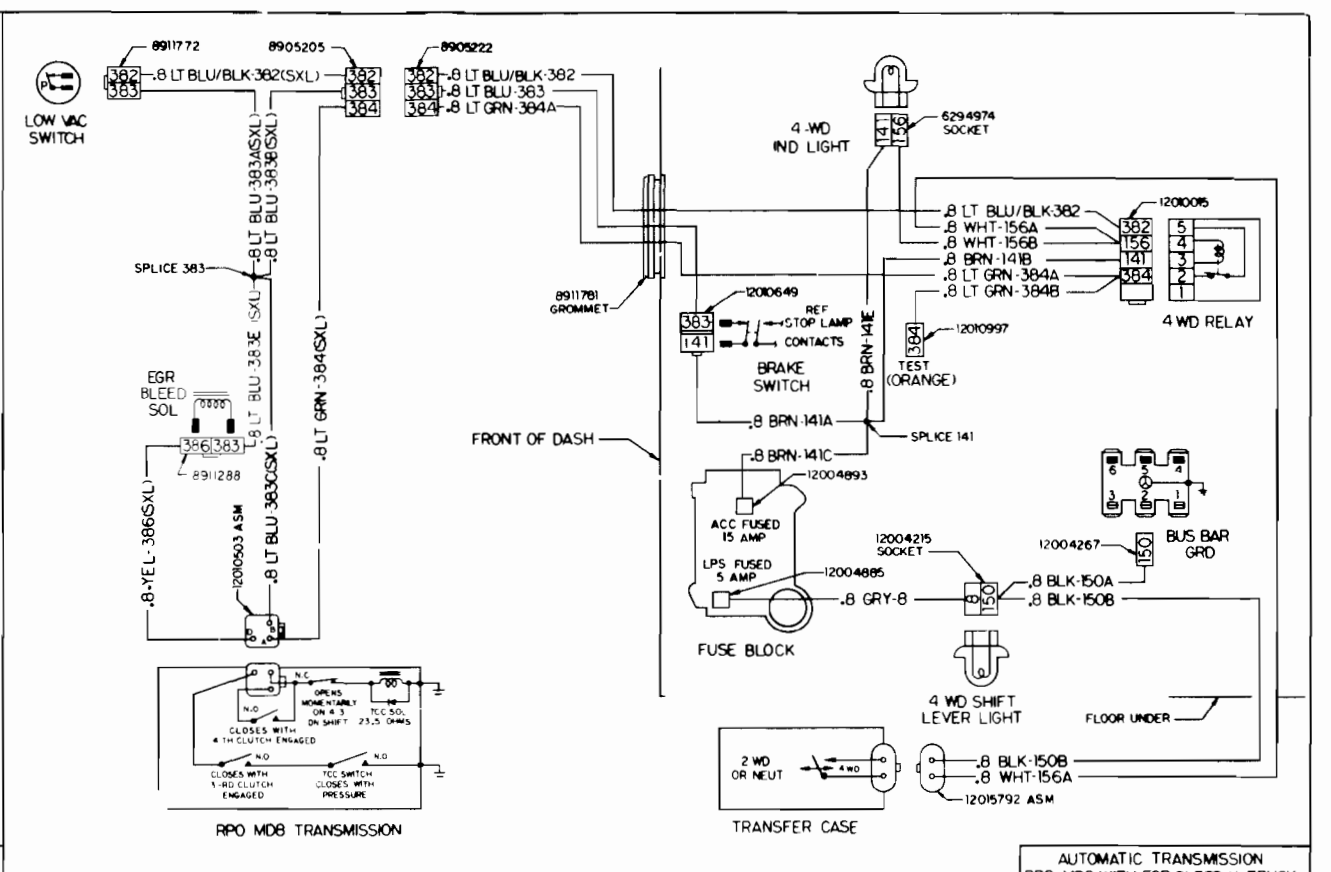
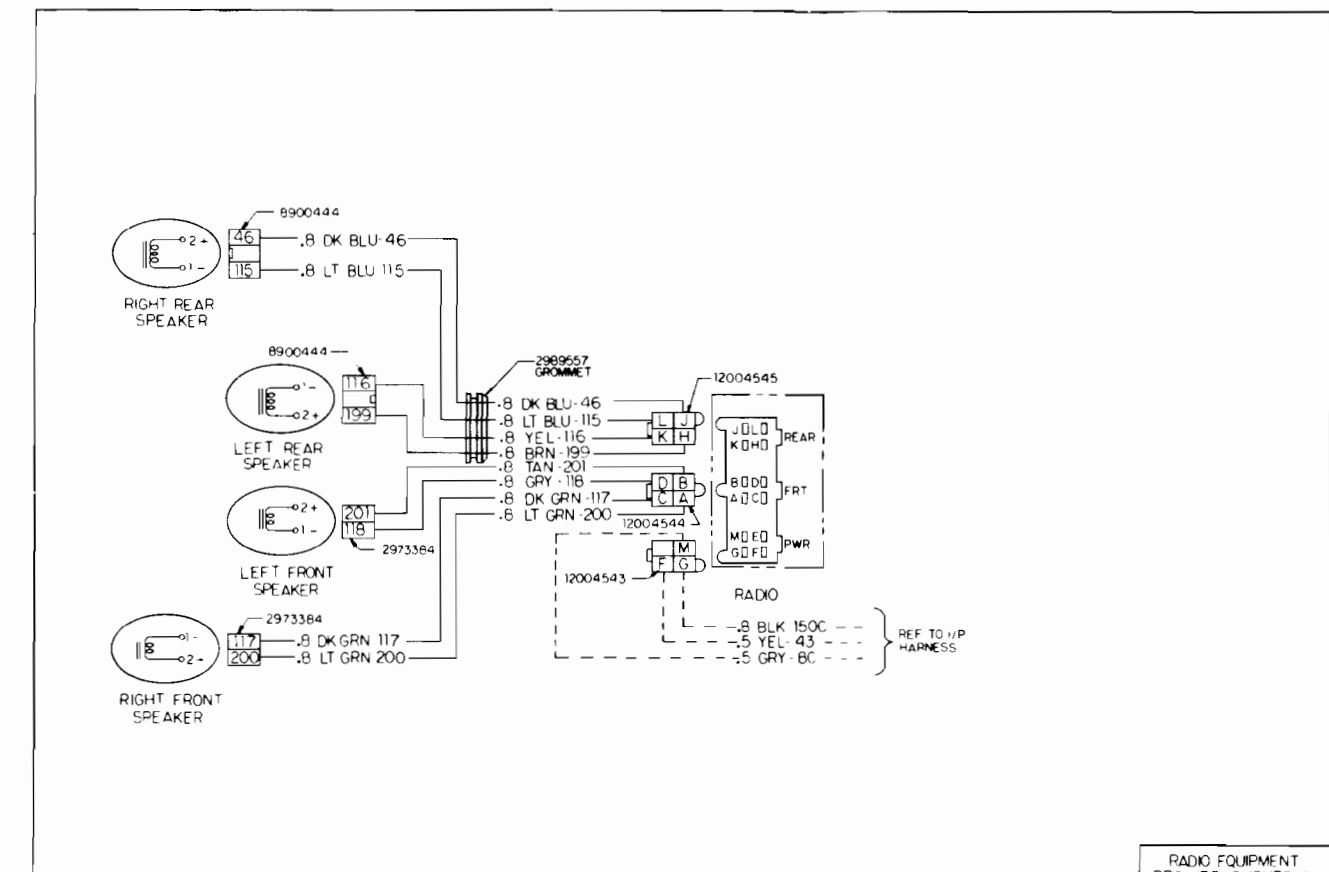
METRIC SIZE (MM ²)	AWG SIZE
.24	24
.5	20
.8	18
1	16
2	14
3	12
5	10
8	8
13	6
19	4
32	2

CK TRUCK 1A

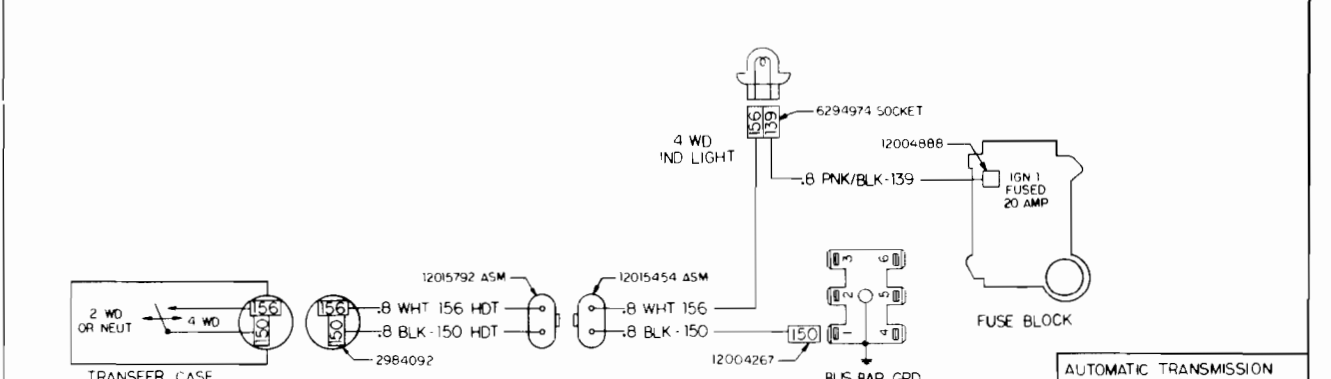
FOR NE2 1/P CIRCUIT DIAGRAM SEE SHT 4 OF 4 (DONE ON THE COMPUTER)



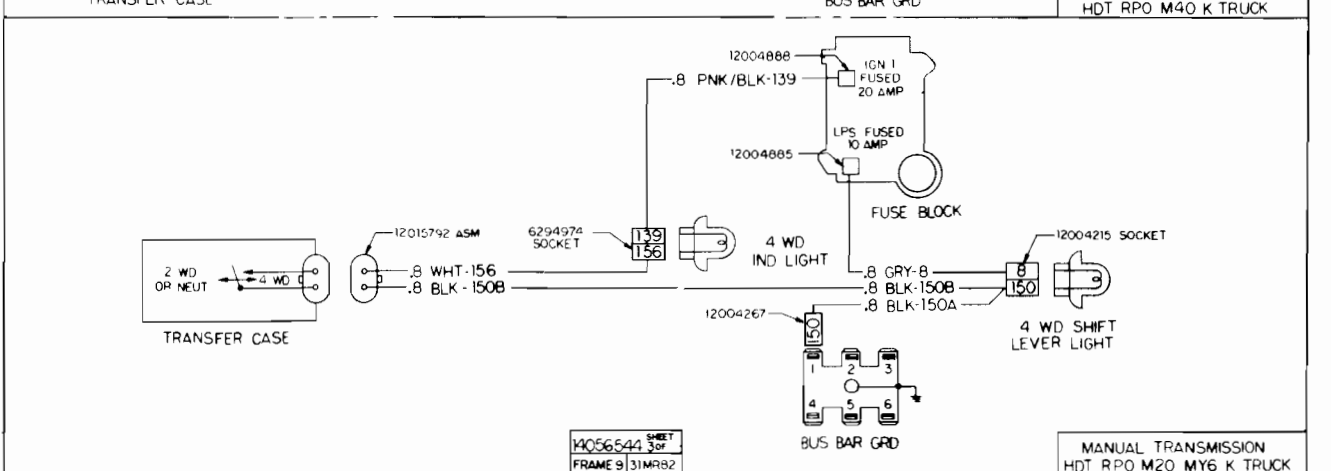
DIESEL ENGINE
RPO LH6 & LL4



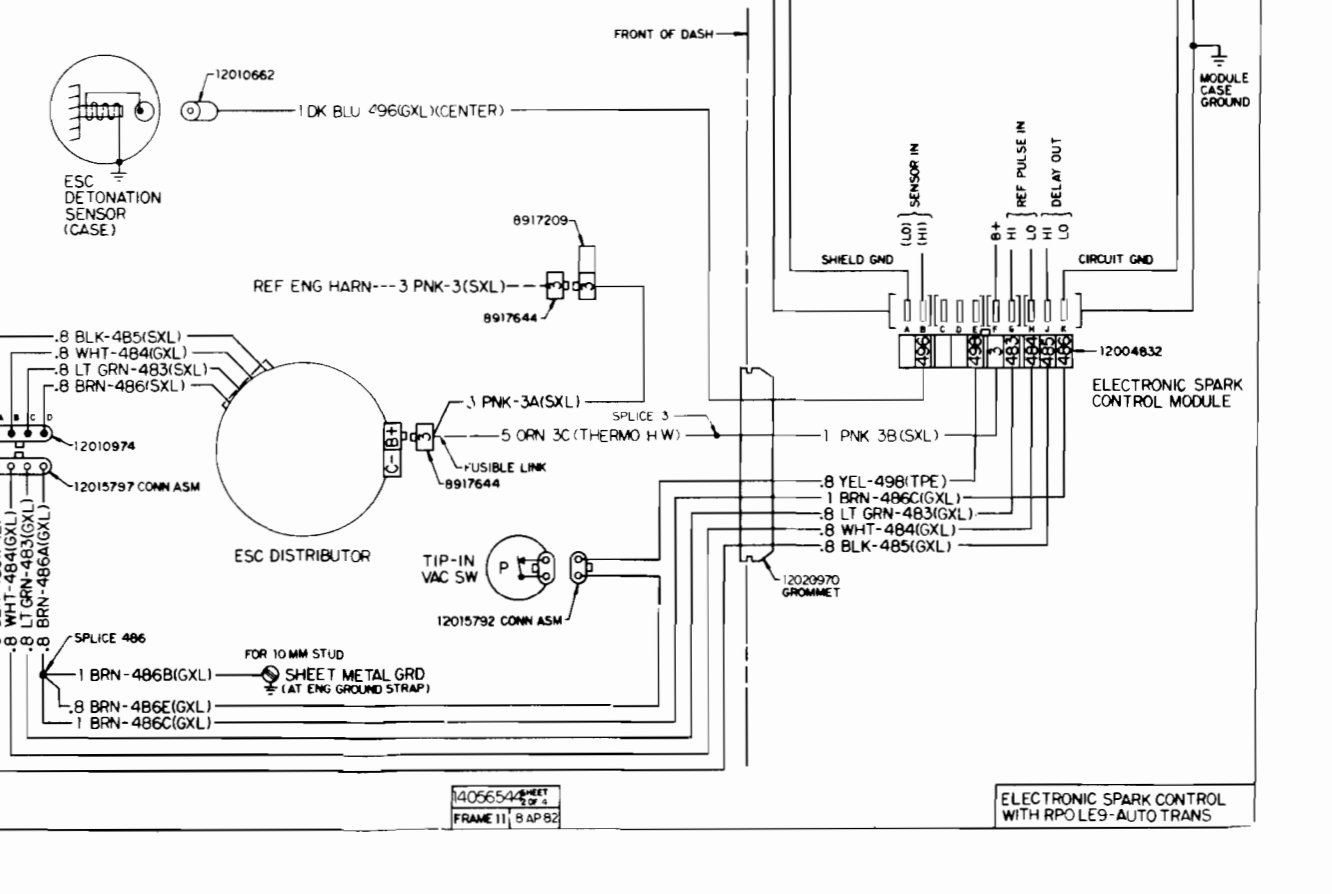
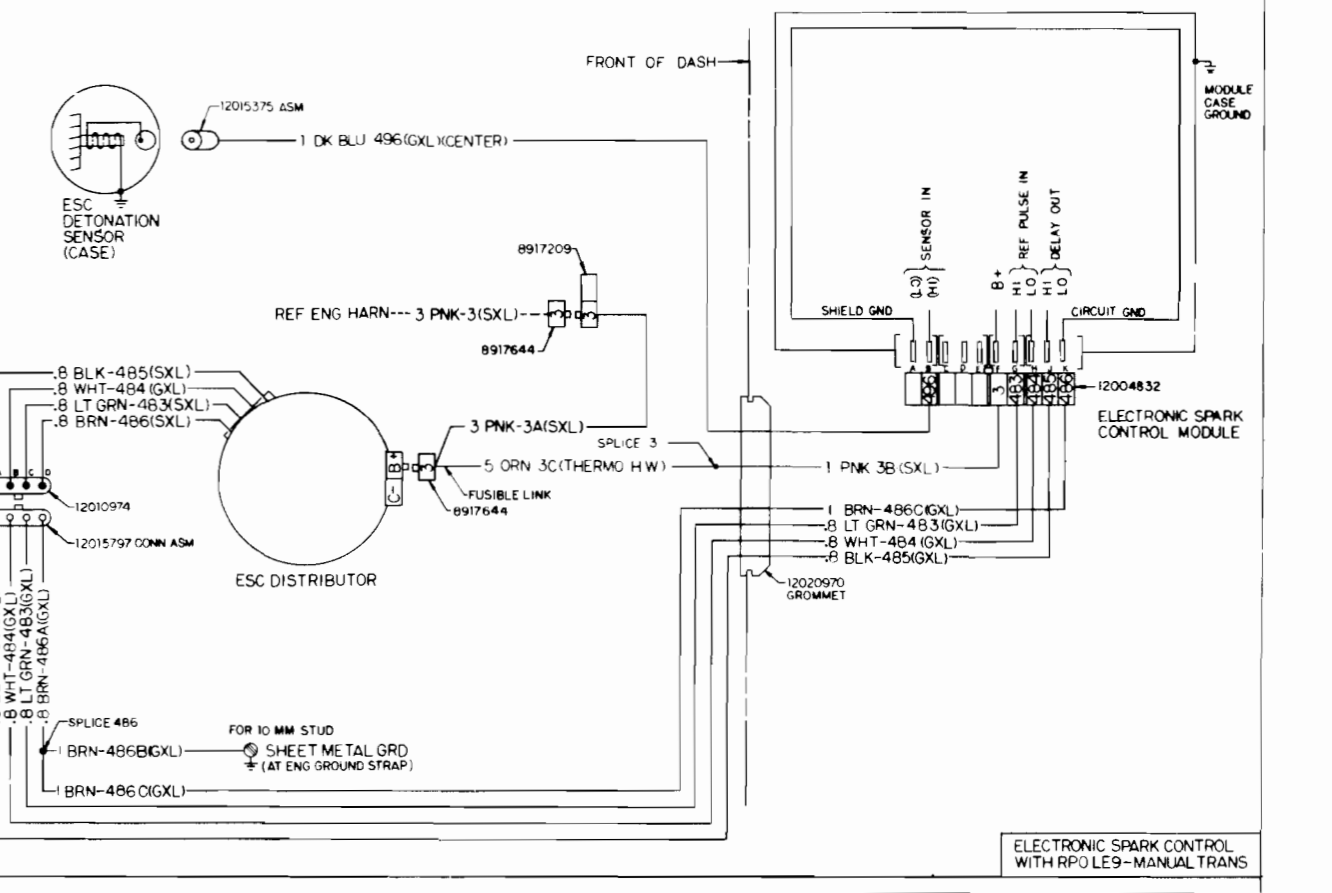
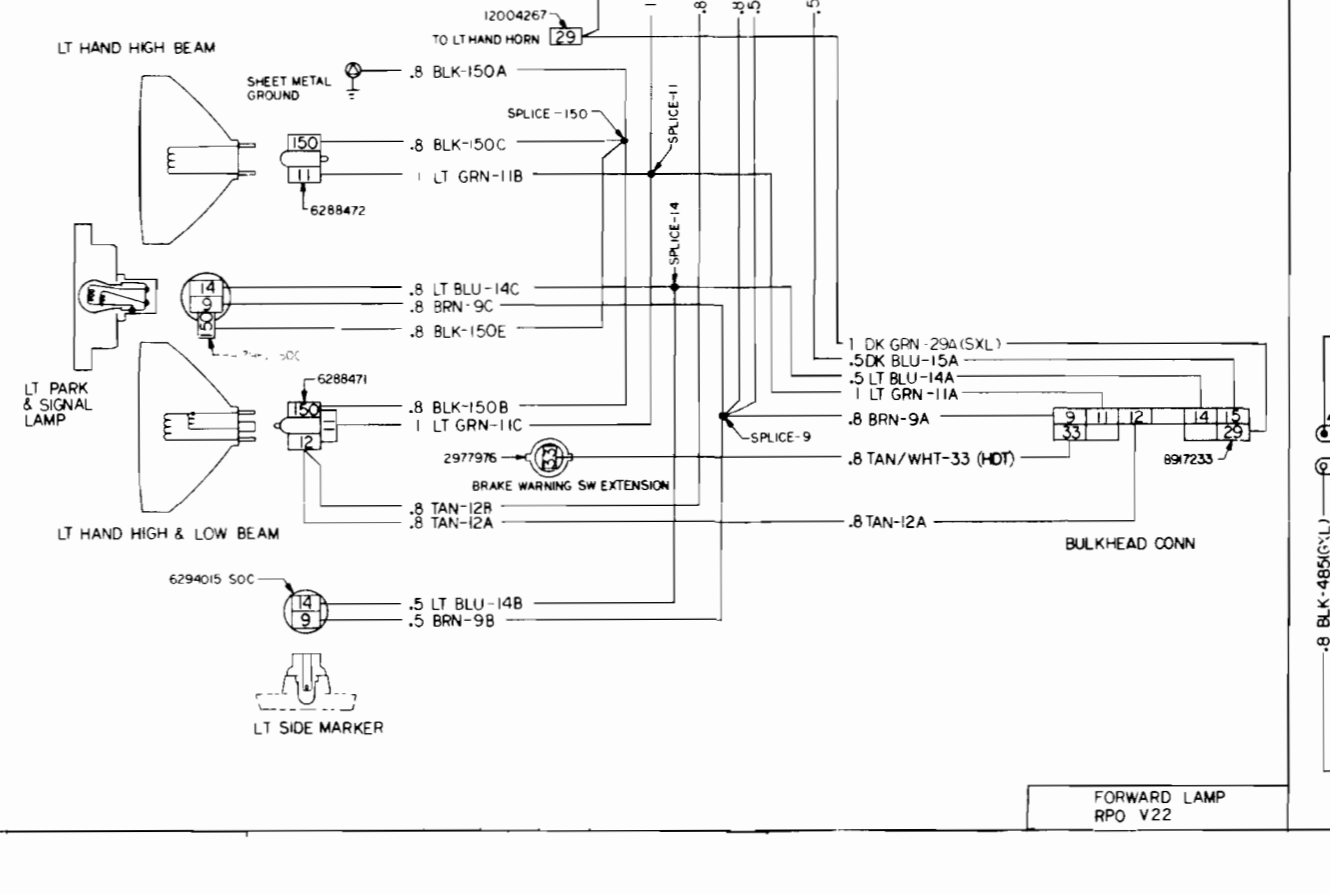
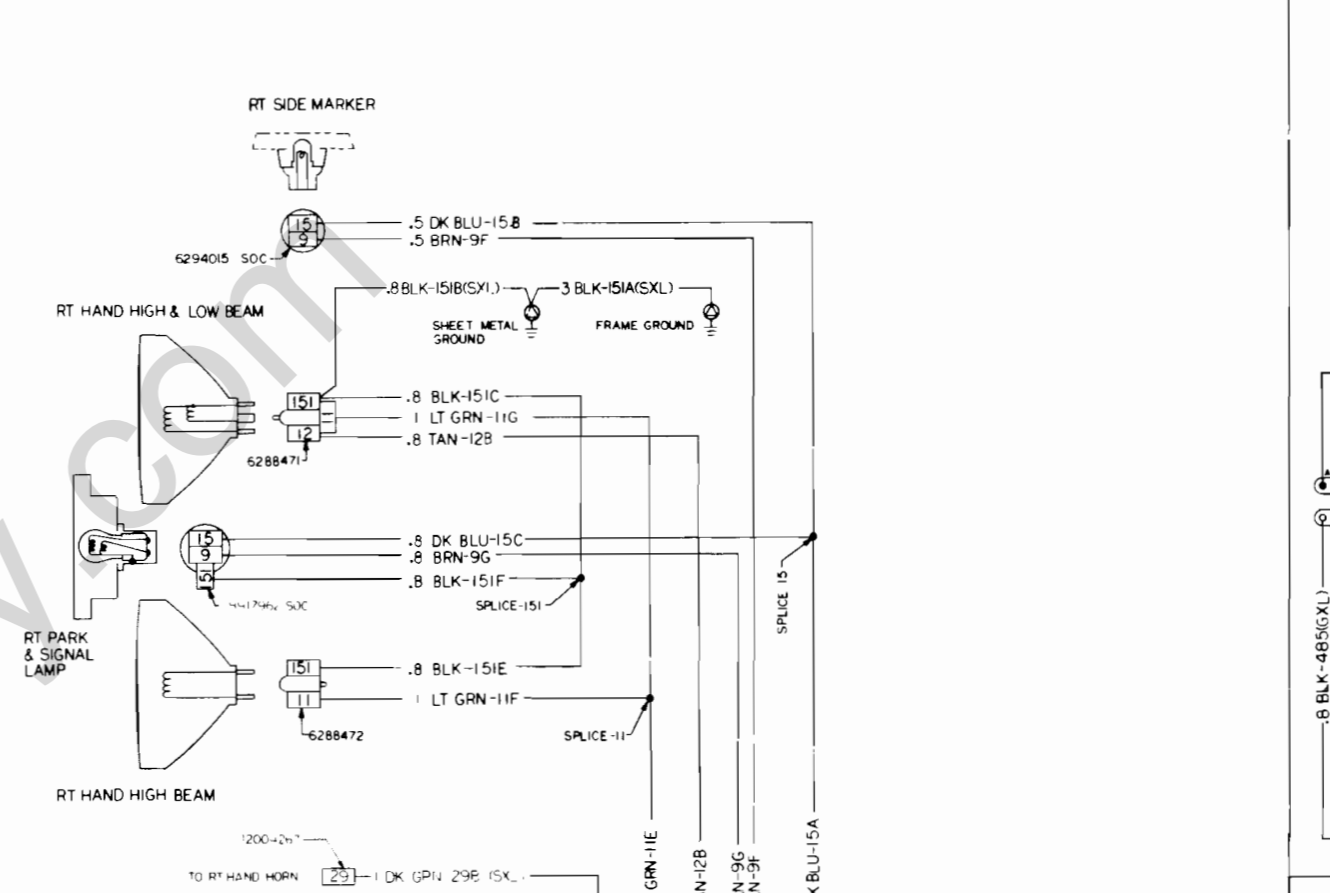
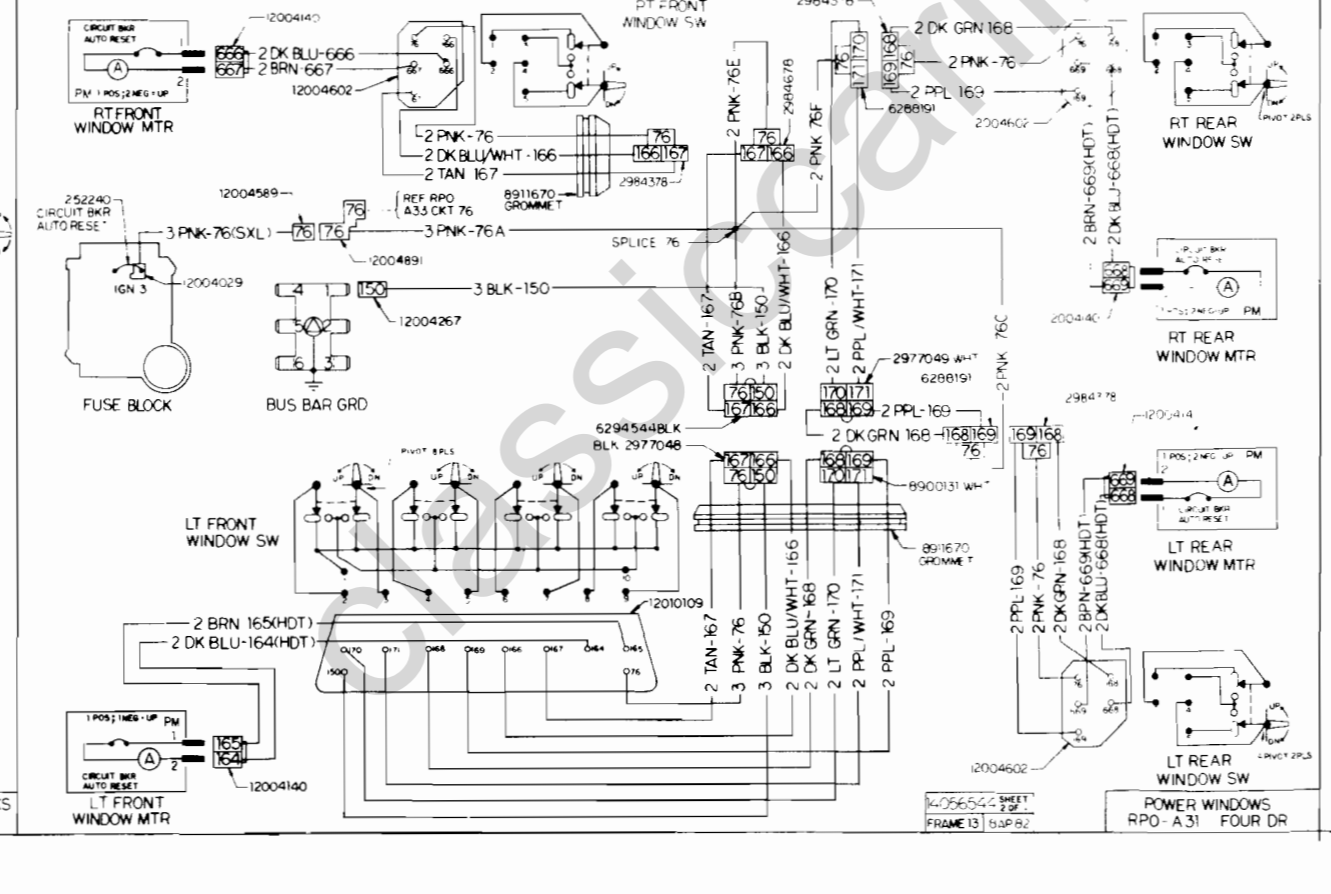
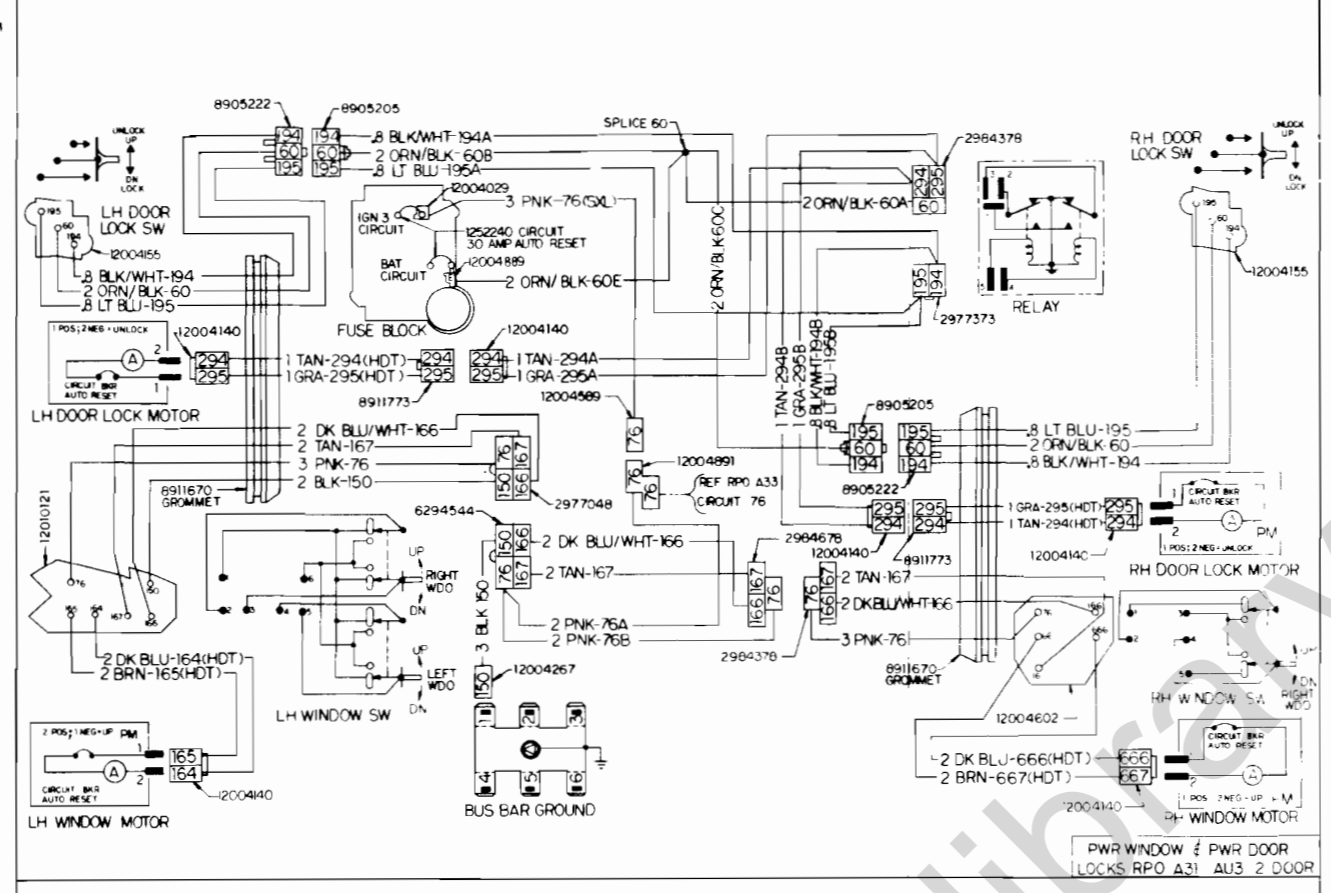
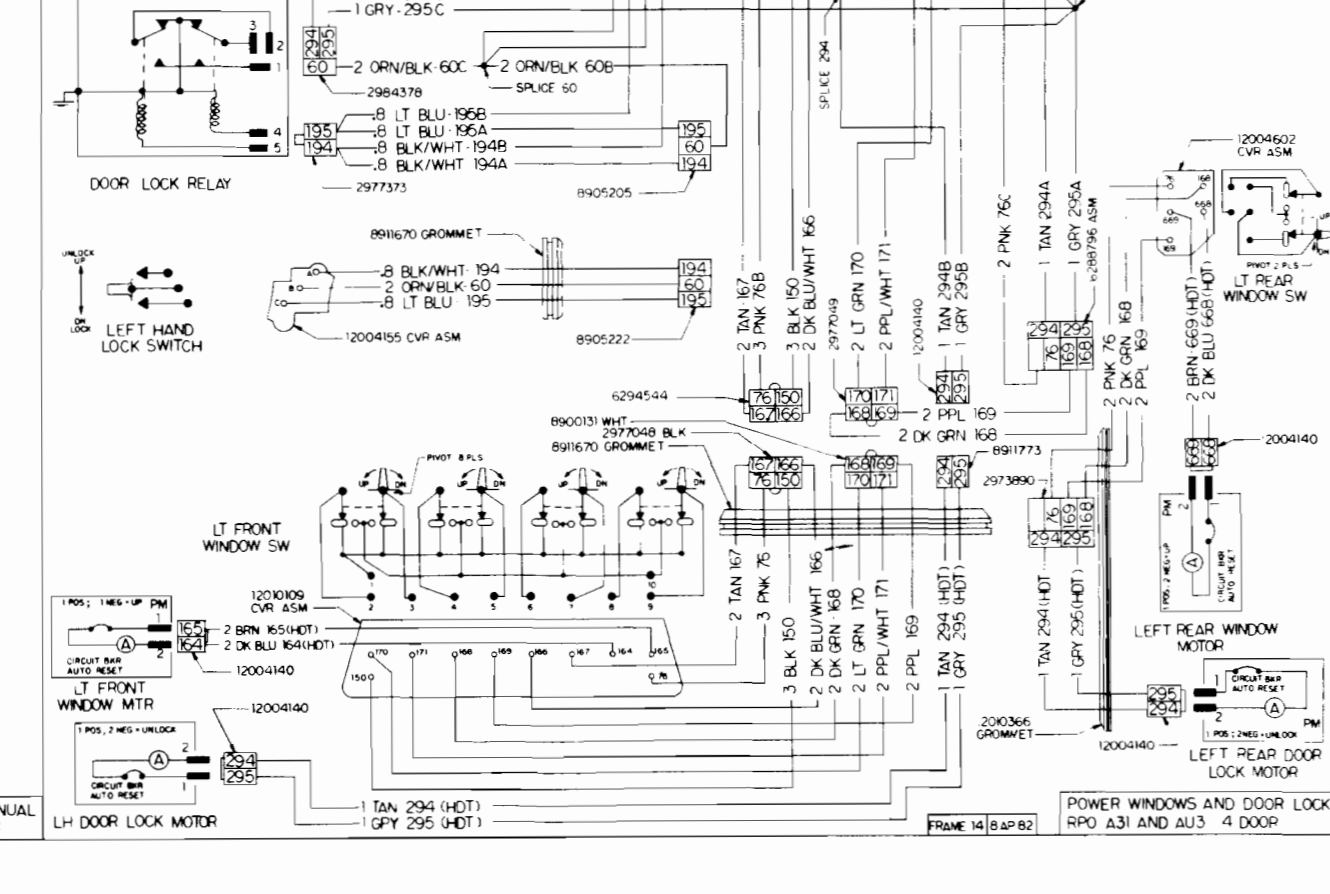
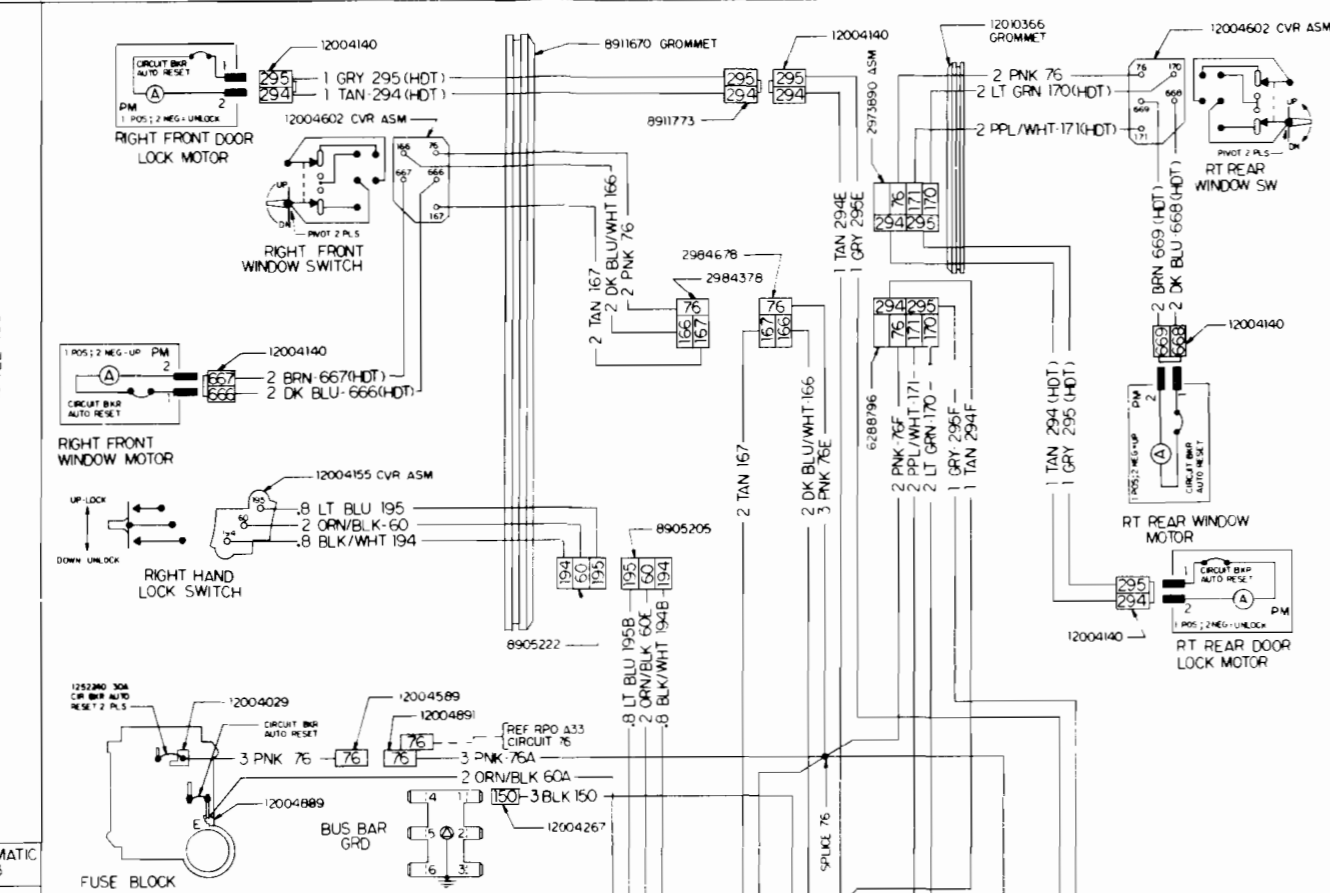
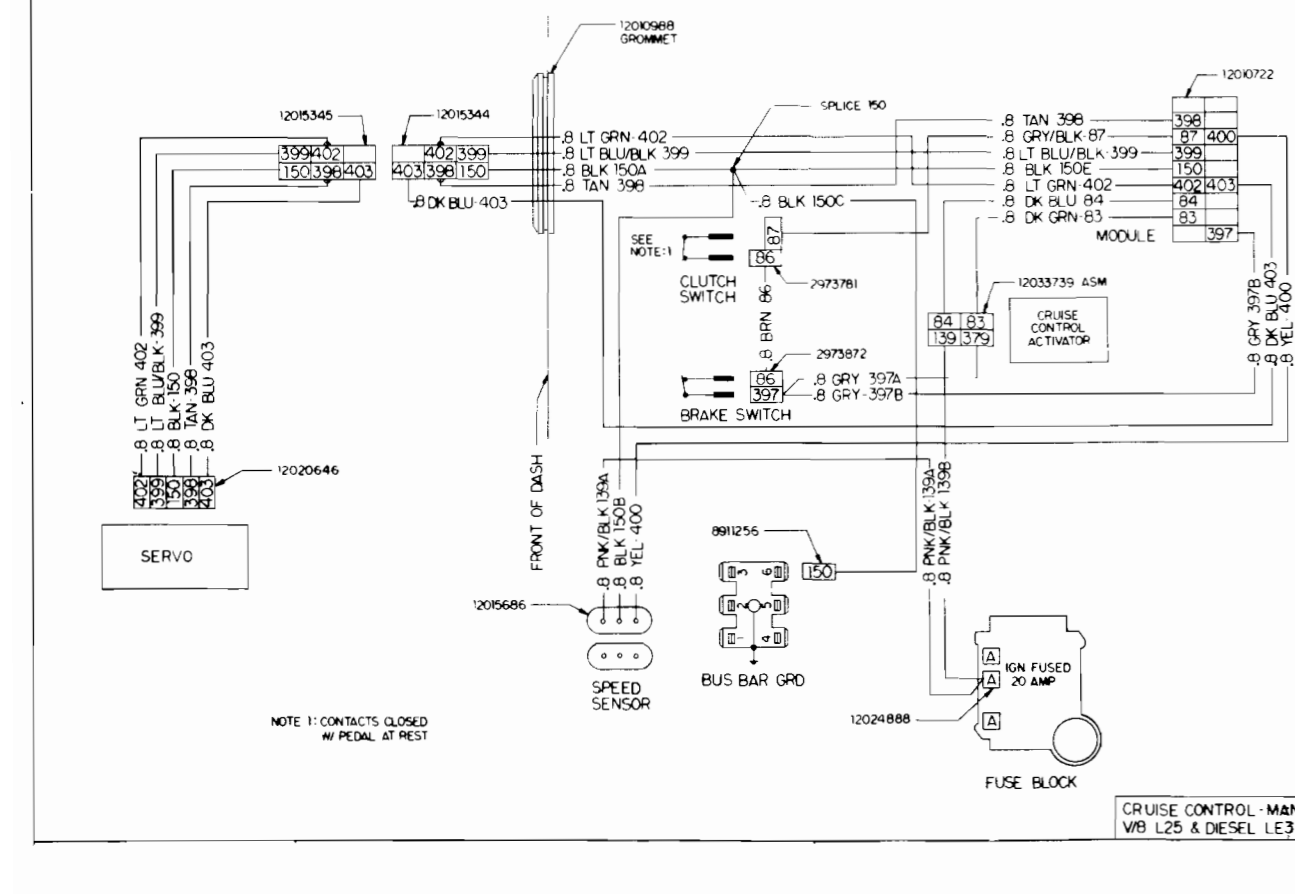
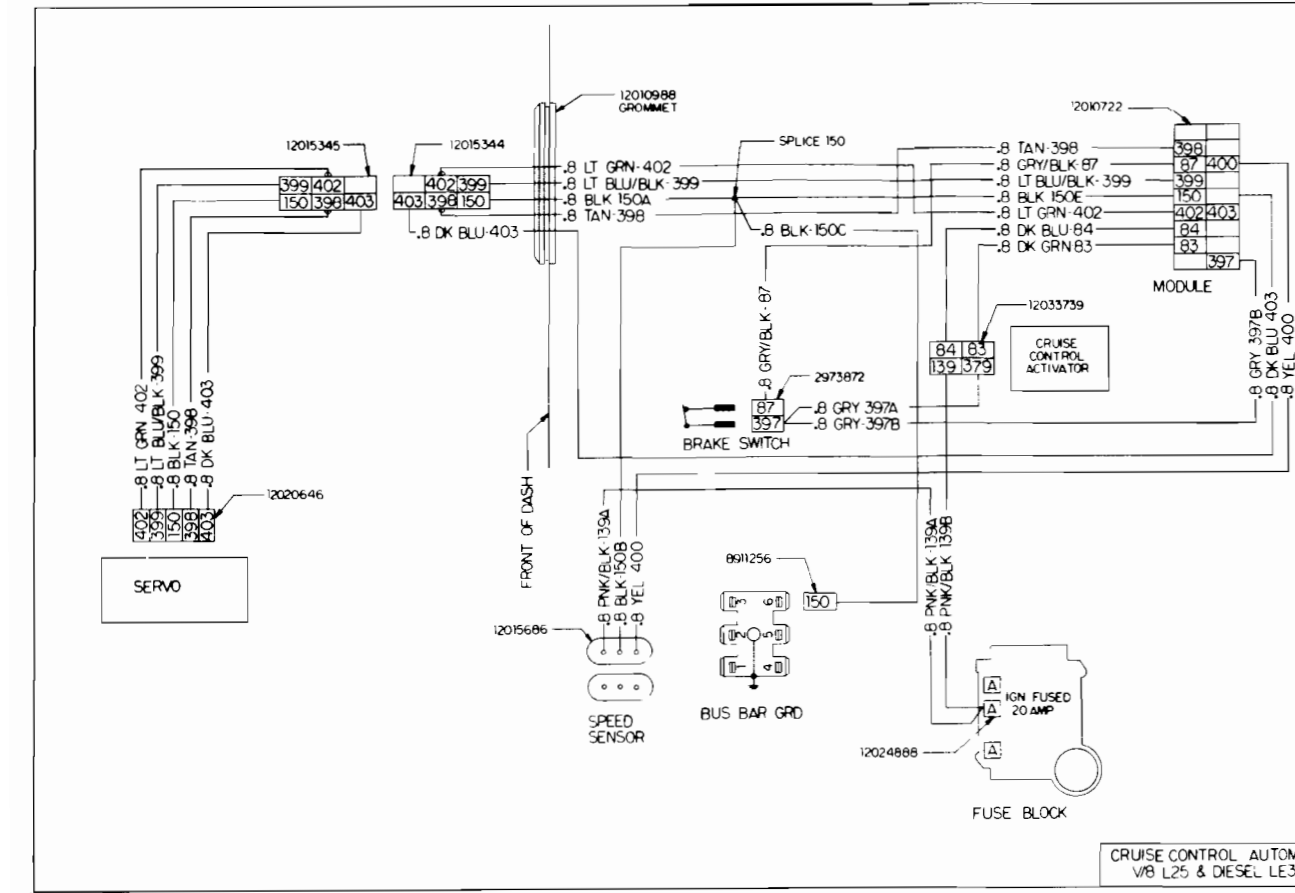
AUTOMATIC TRANSMISSION
RPO M08 WITH EGR BLEED K TRUCK

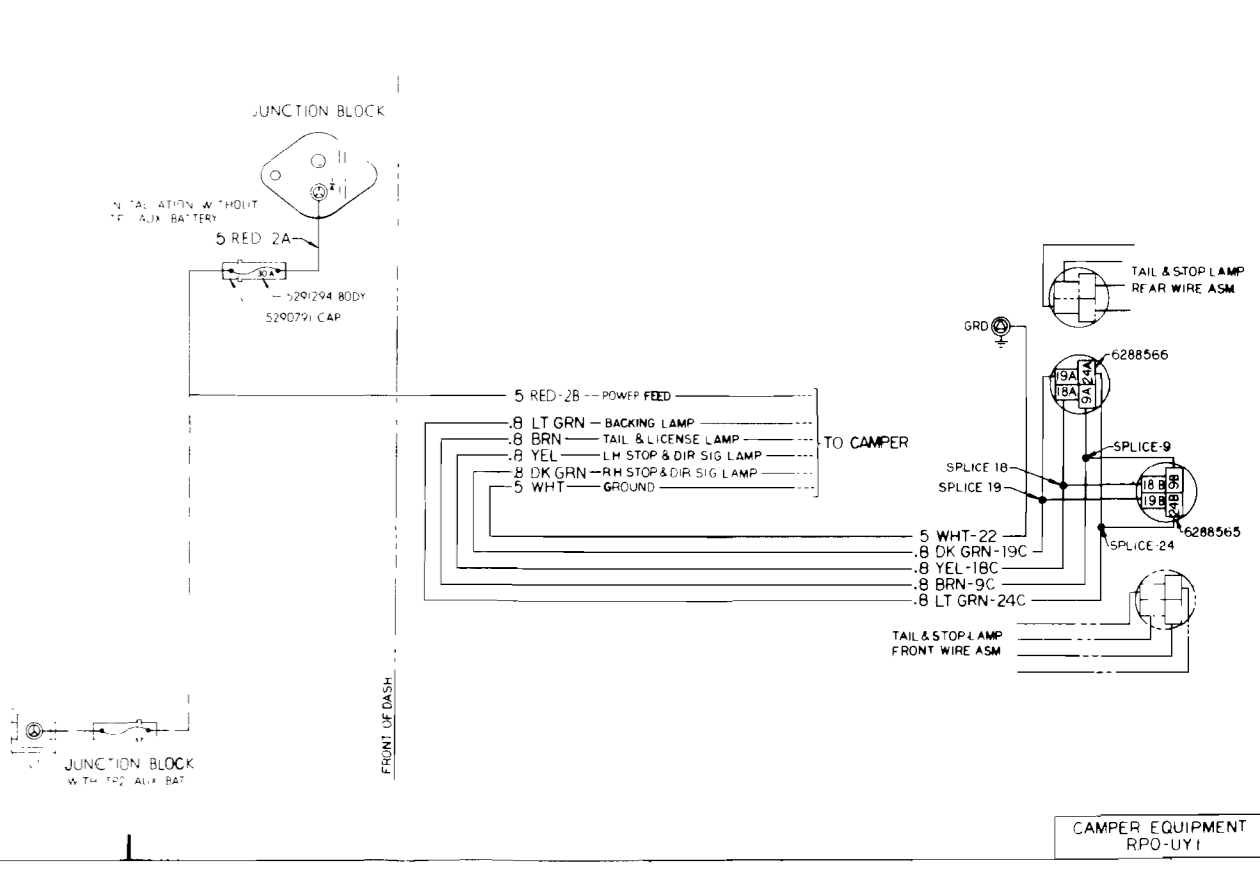
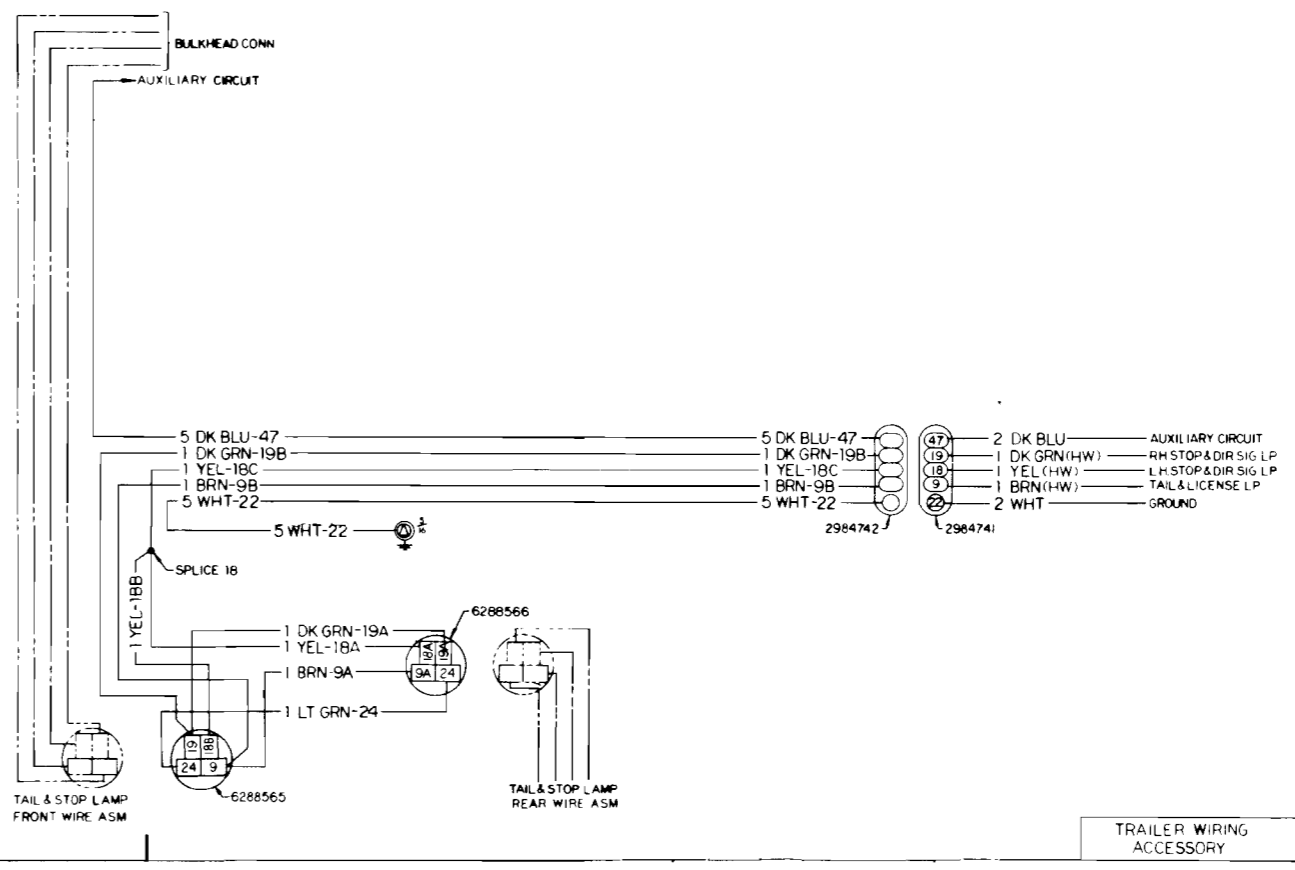
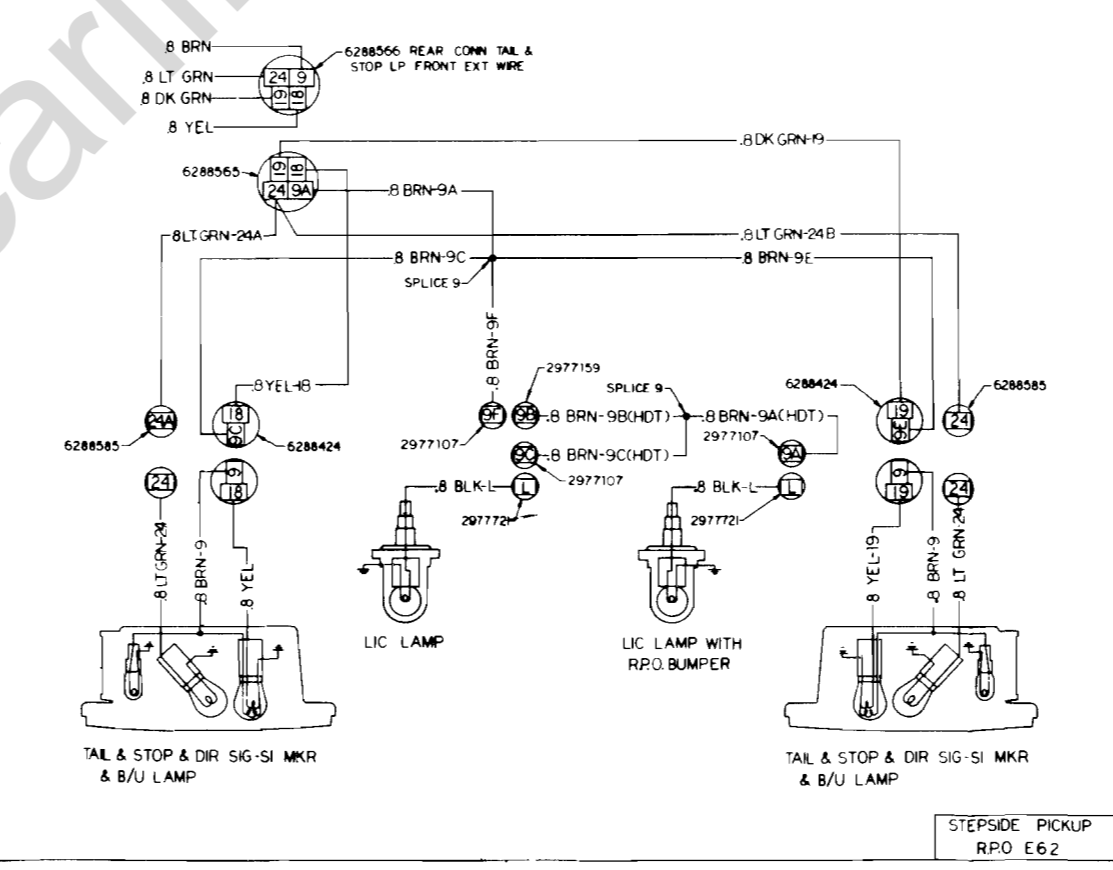
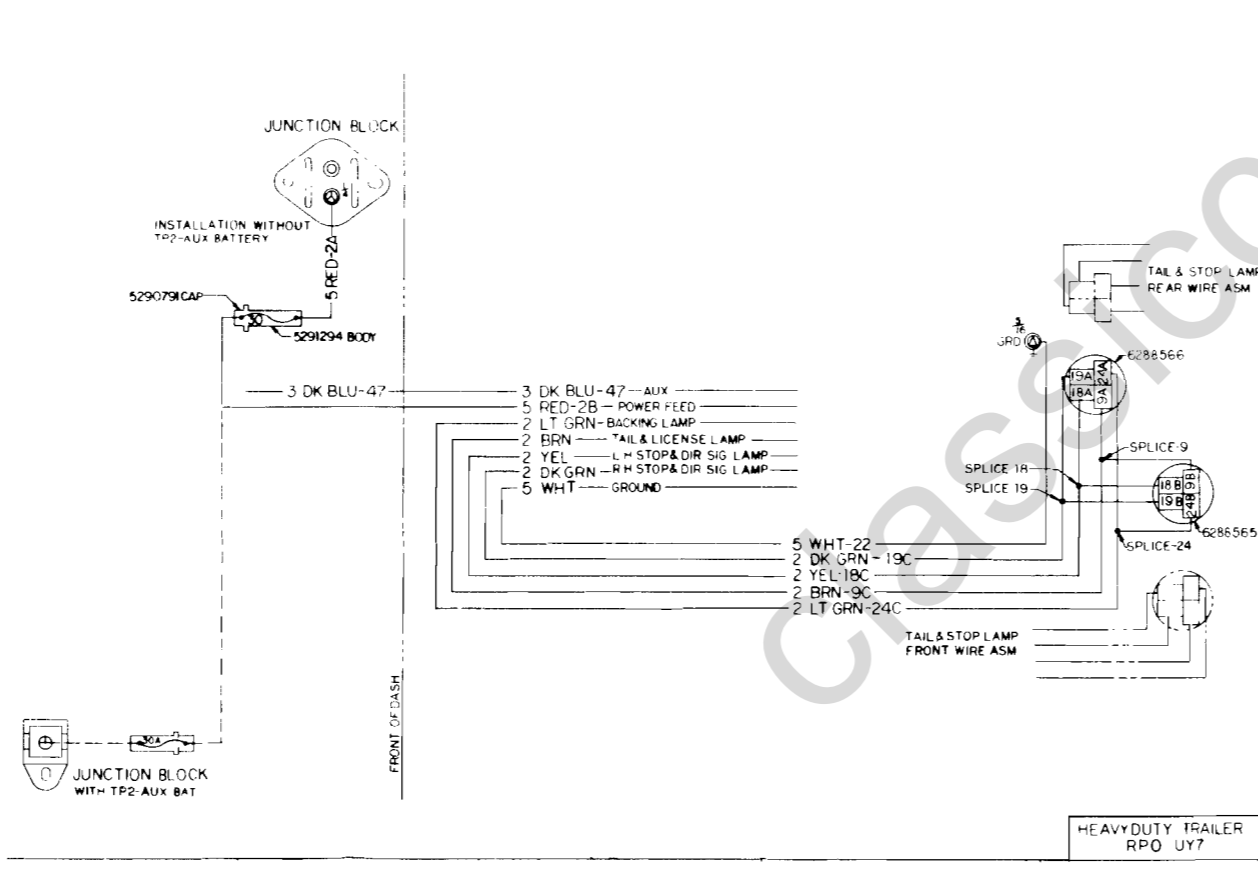
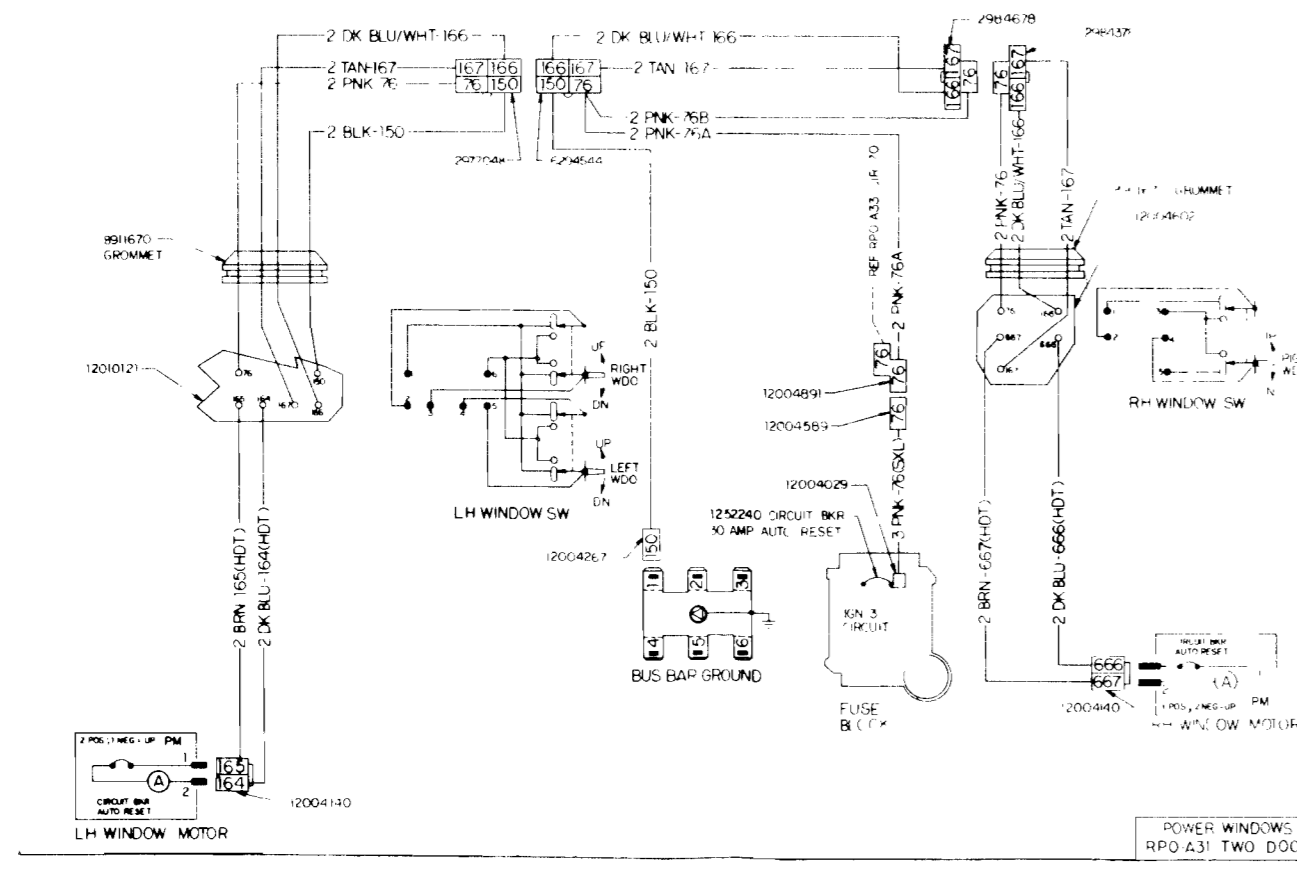
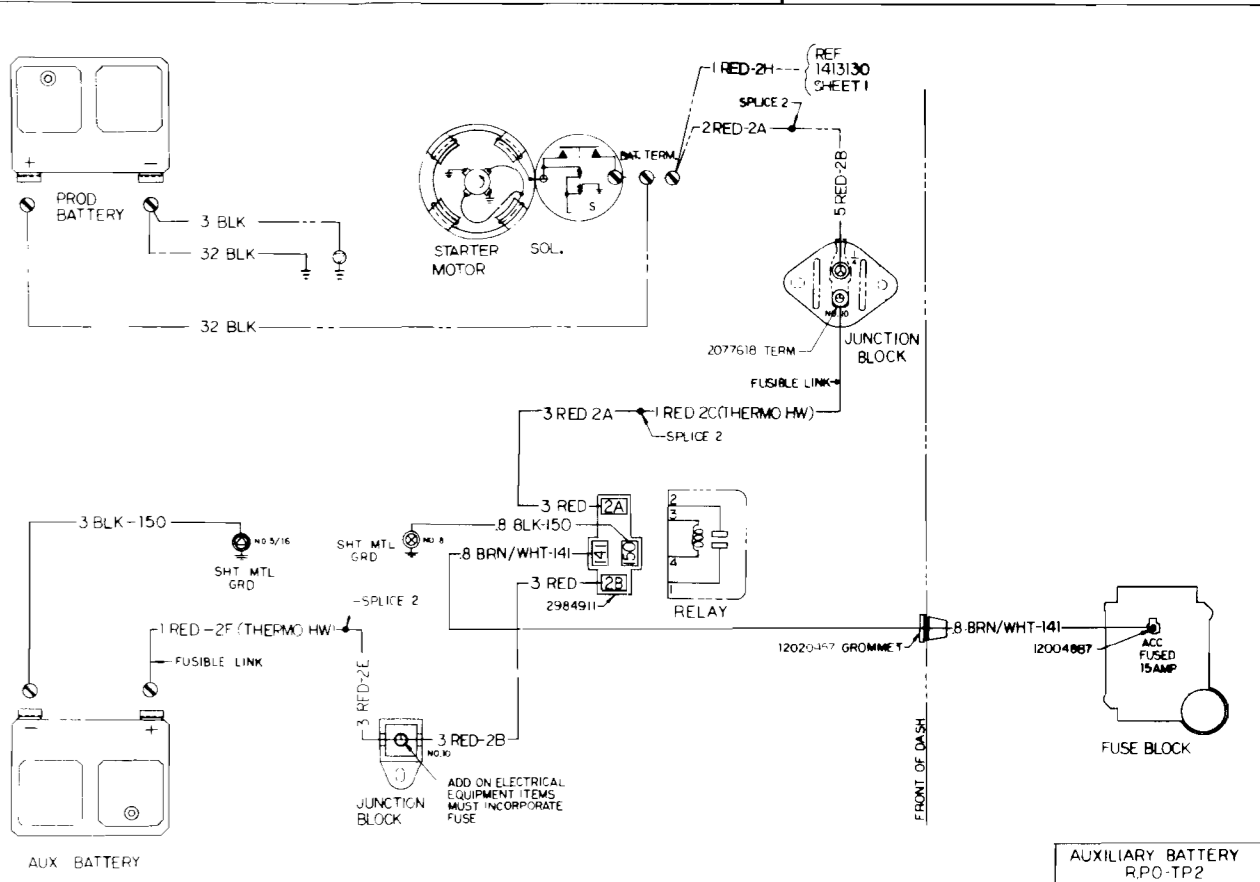
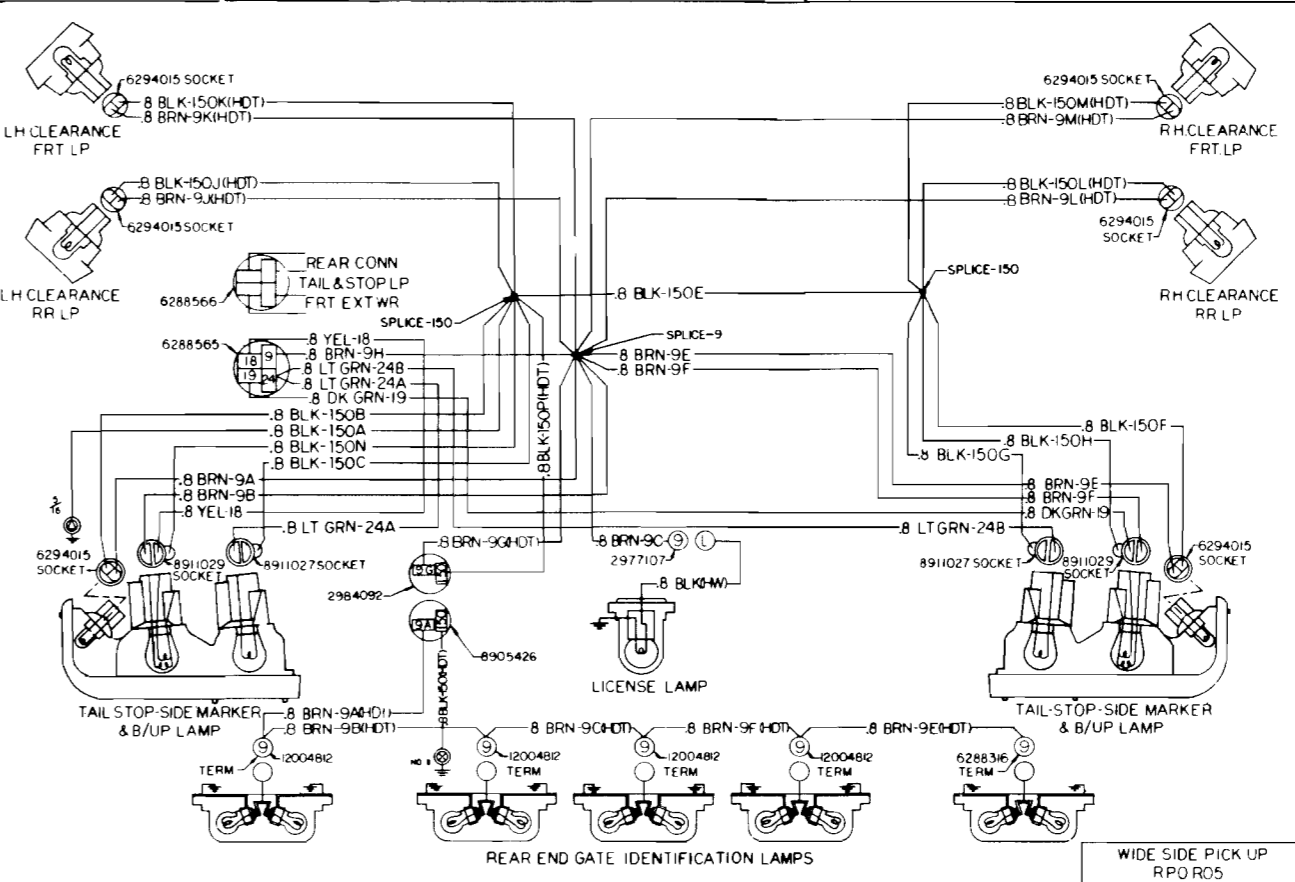
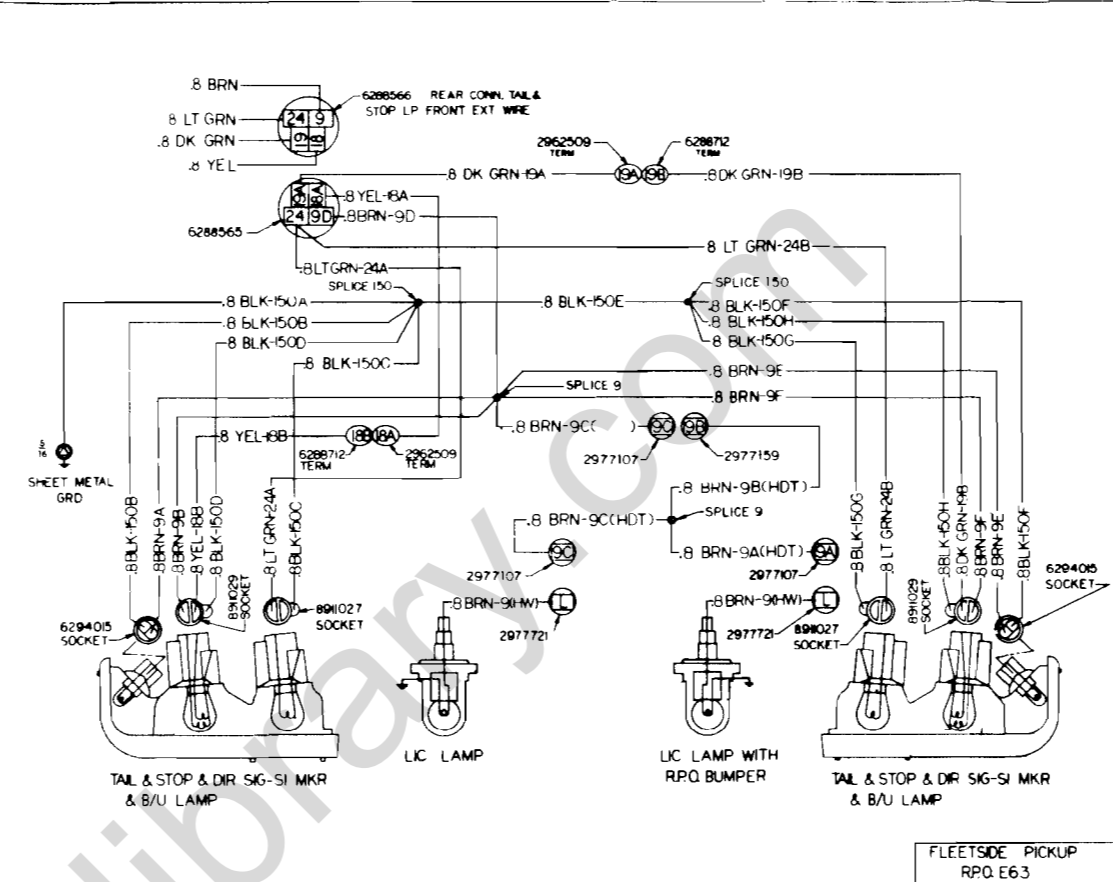
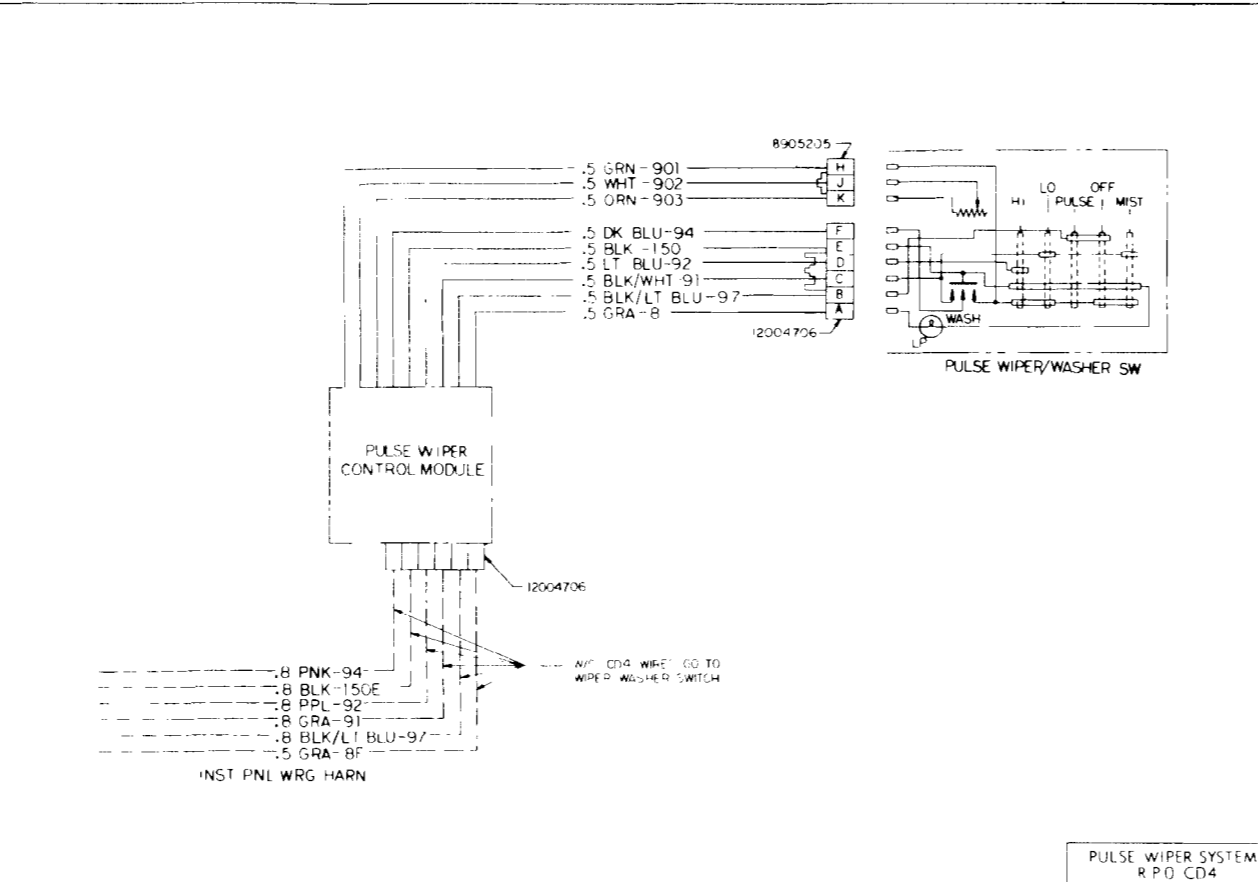
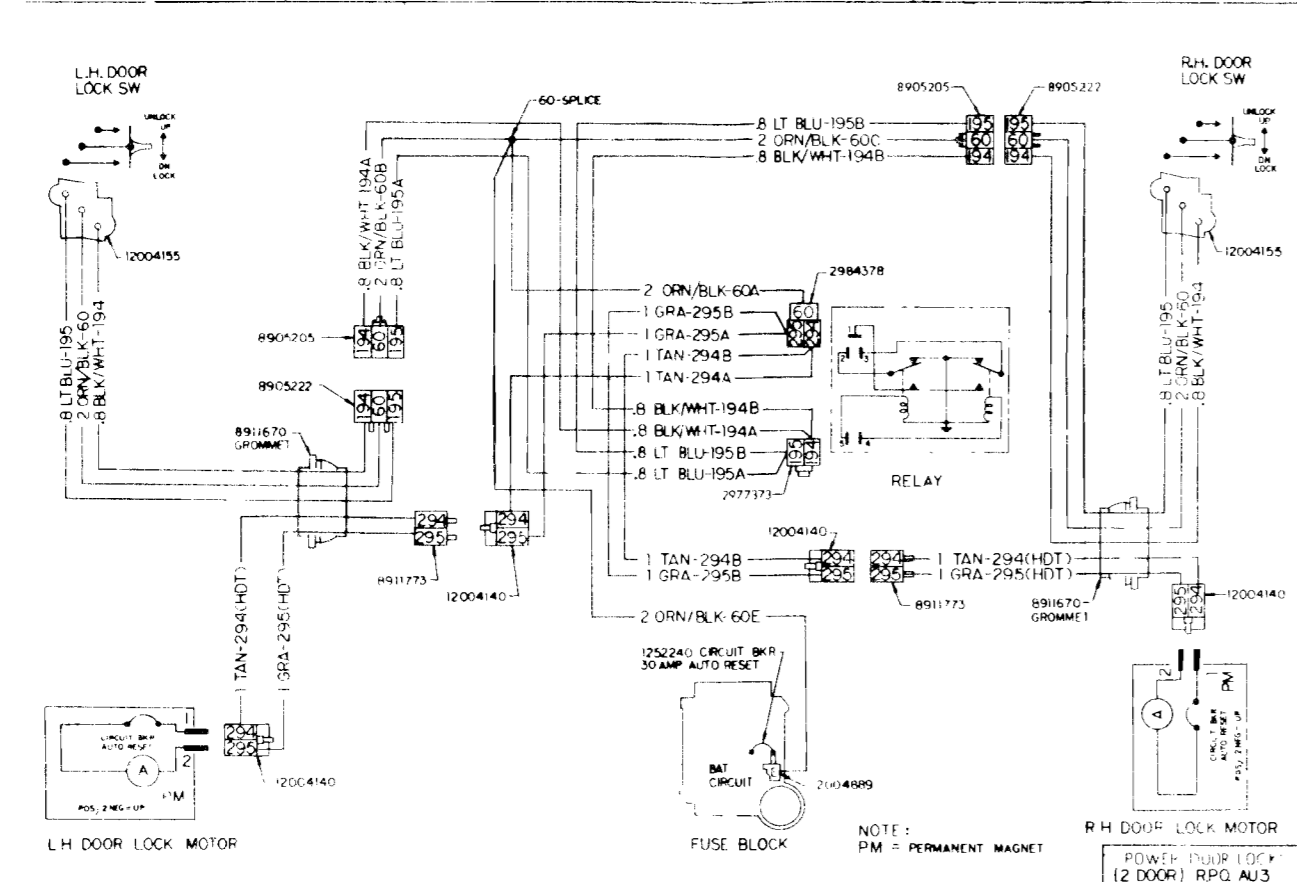


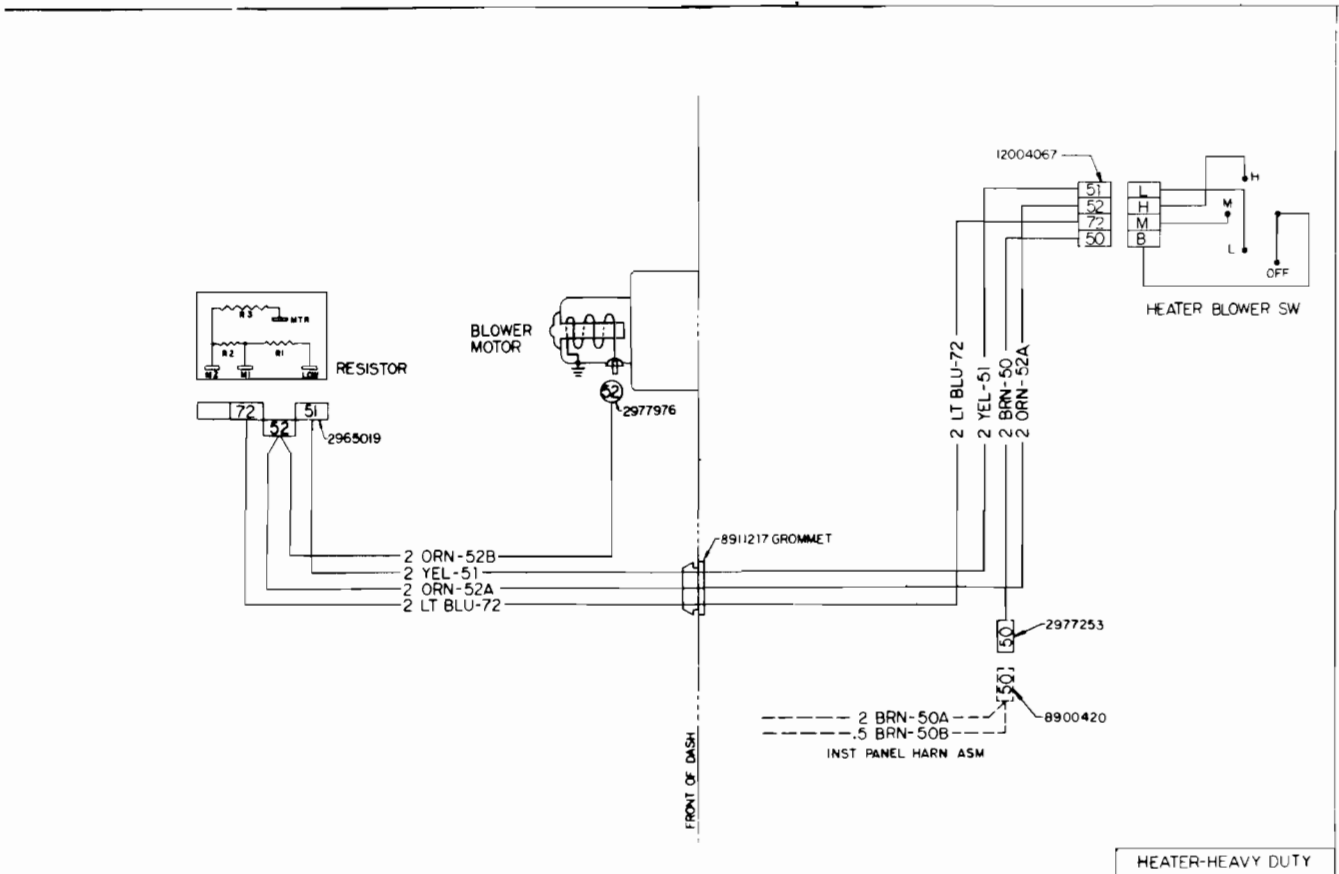
AUTOMATIC TRANSMISSION
HOT RPO M40 K TRUCK



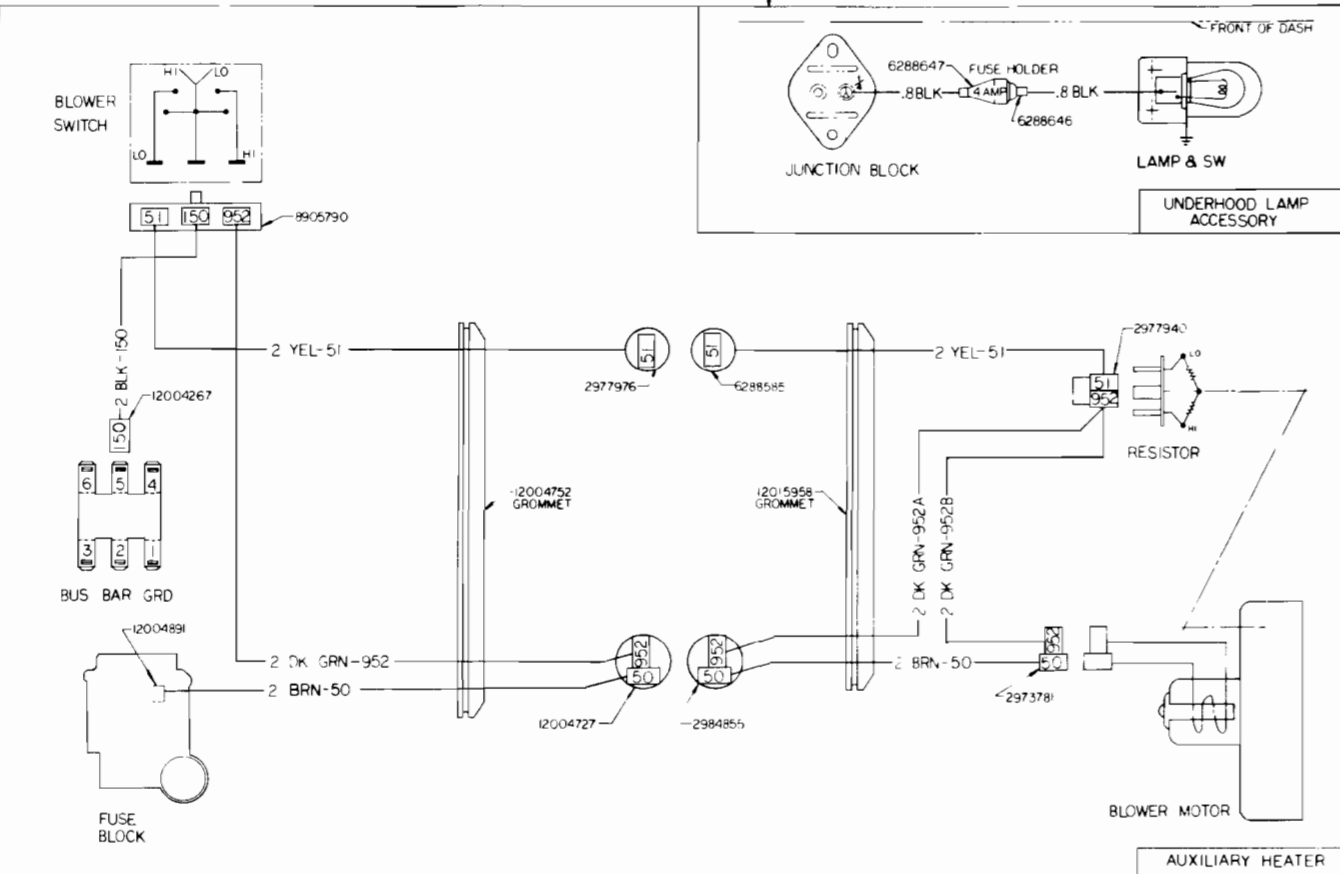
MANUAL TRANSMISSION
HOT RPO M20 MY6 K TRUCK



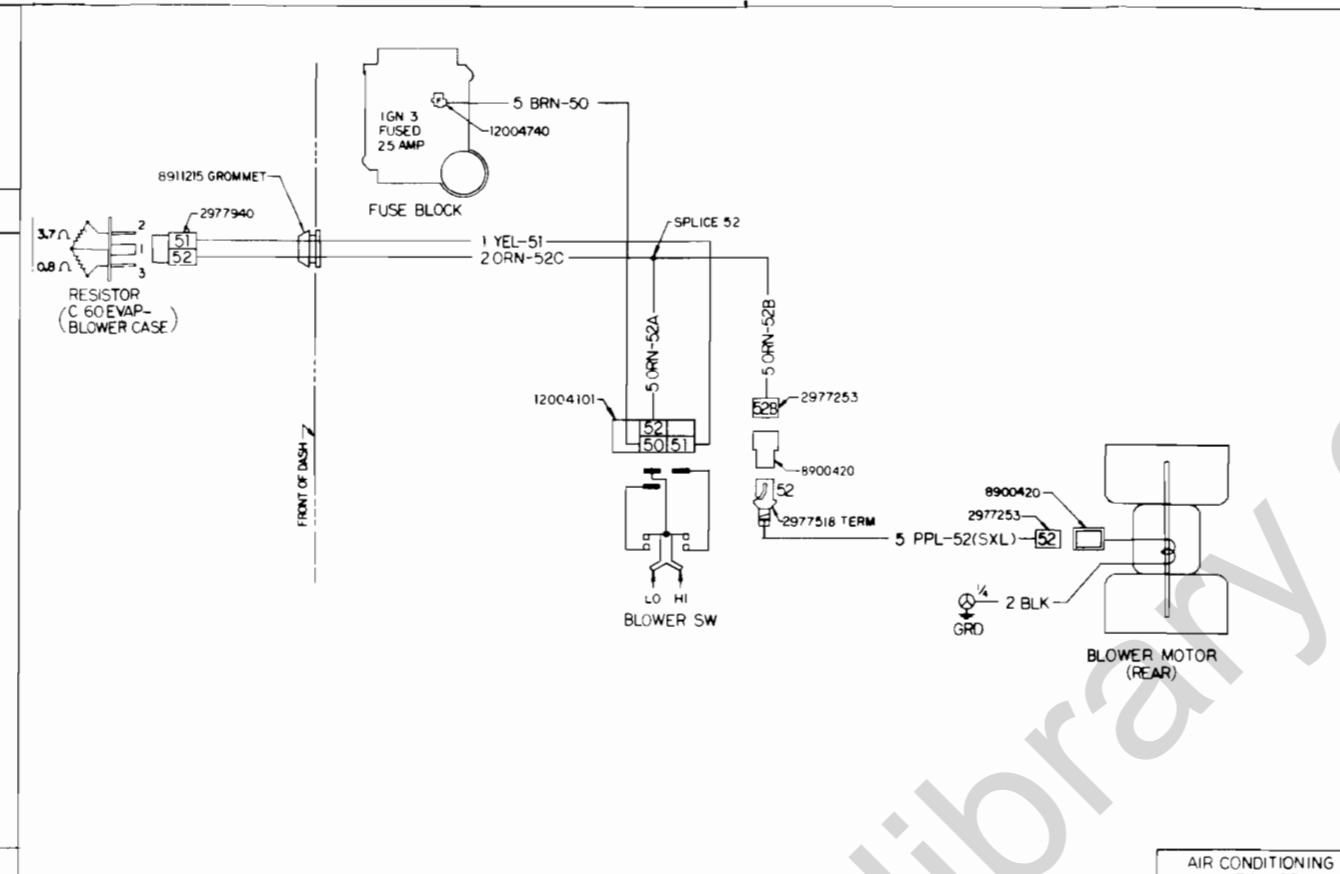




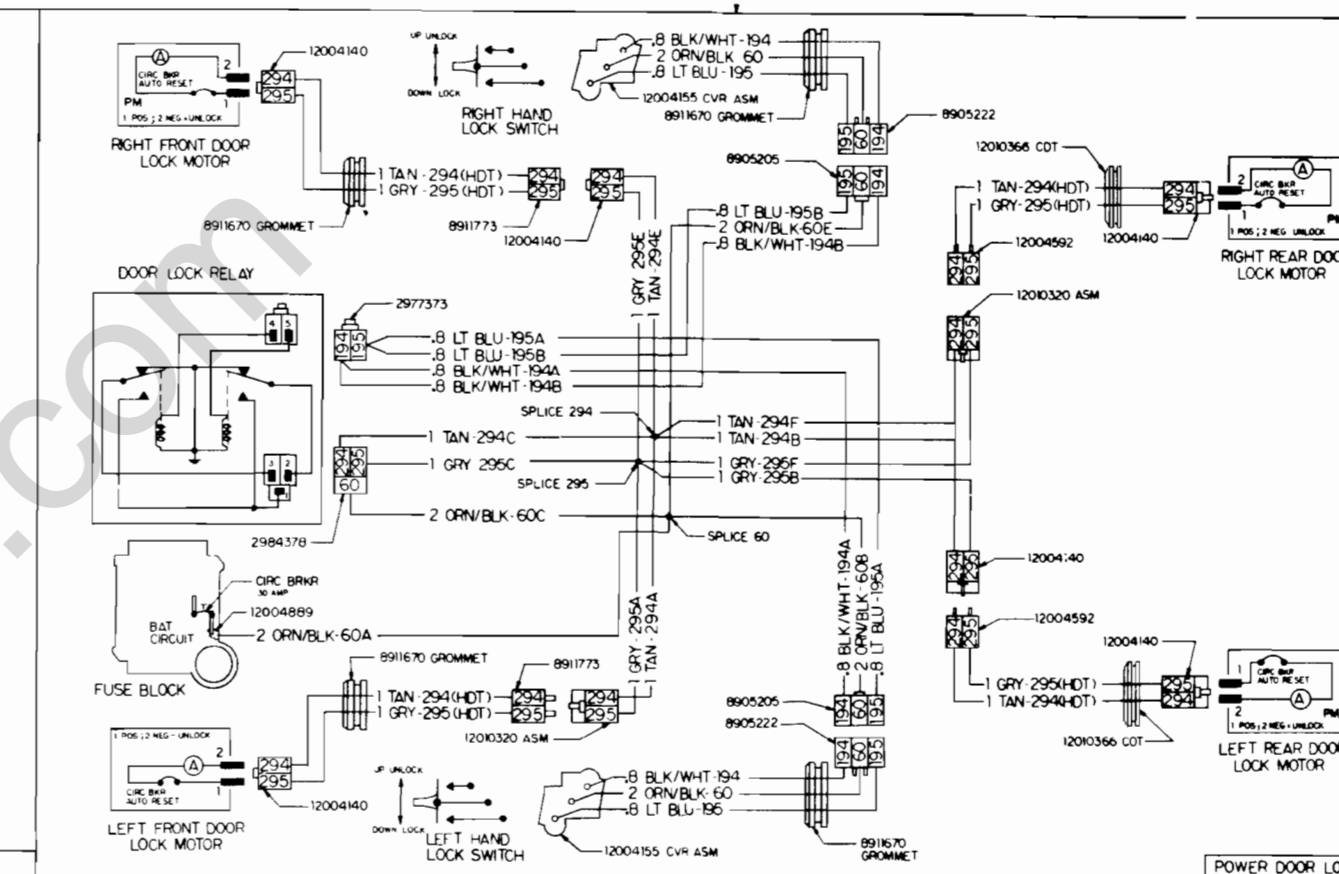
HEATER-HEAVY DUTY
R.P.O. C-42



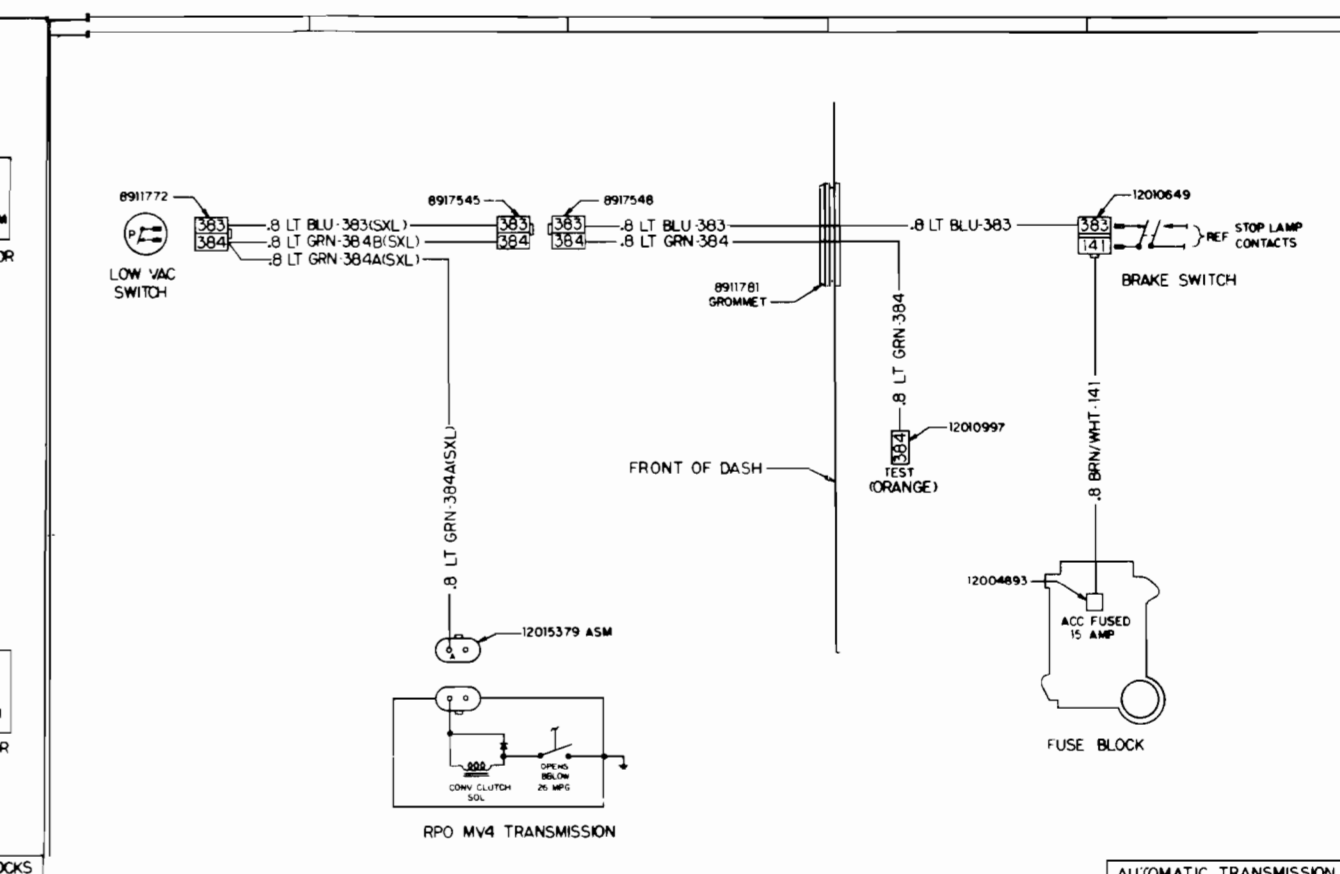
AUXILIARY HEATER



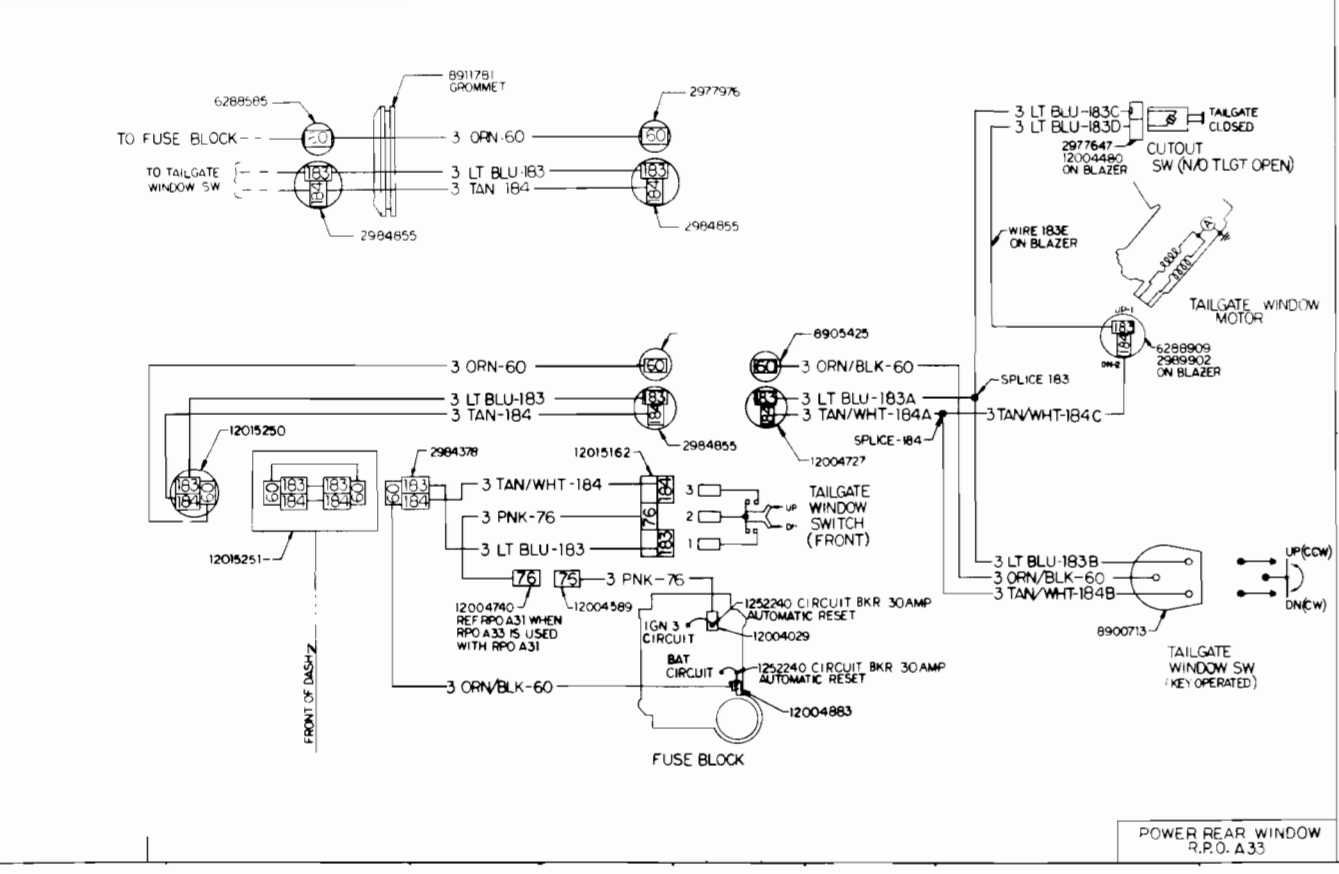
AIR CONDITIONING
R.P.O. C-69



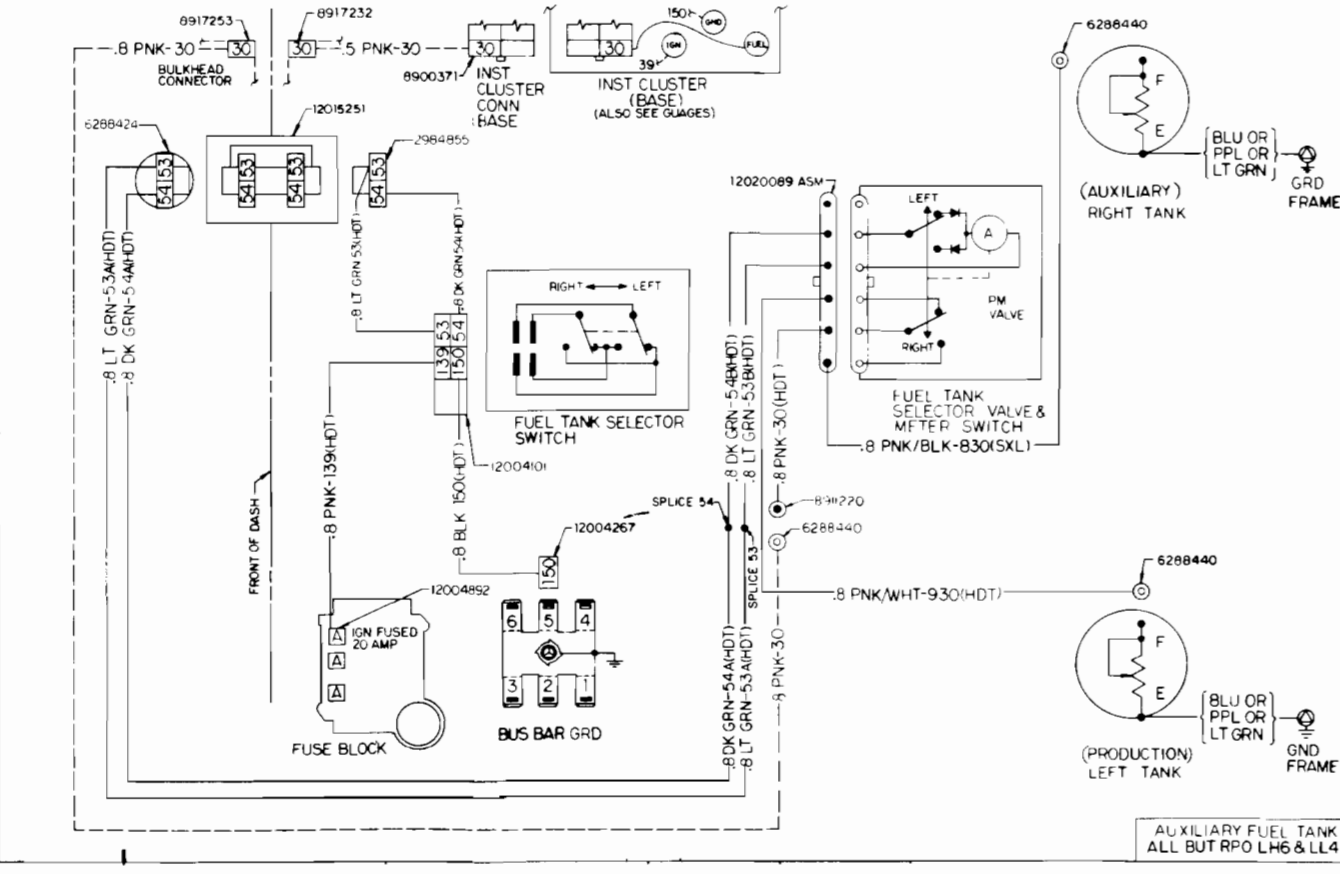
POWER DOOR LOCKS
4 DOOR R.P.O. M4



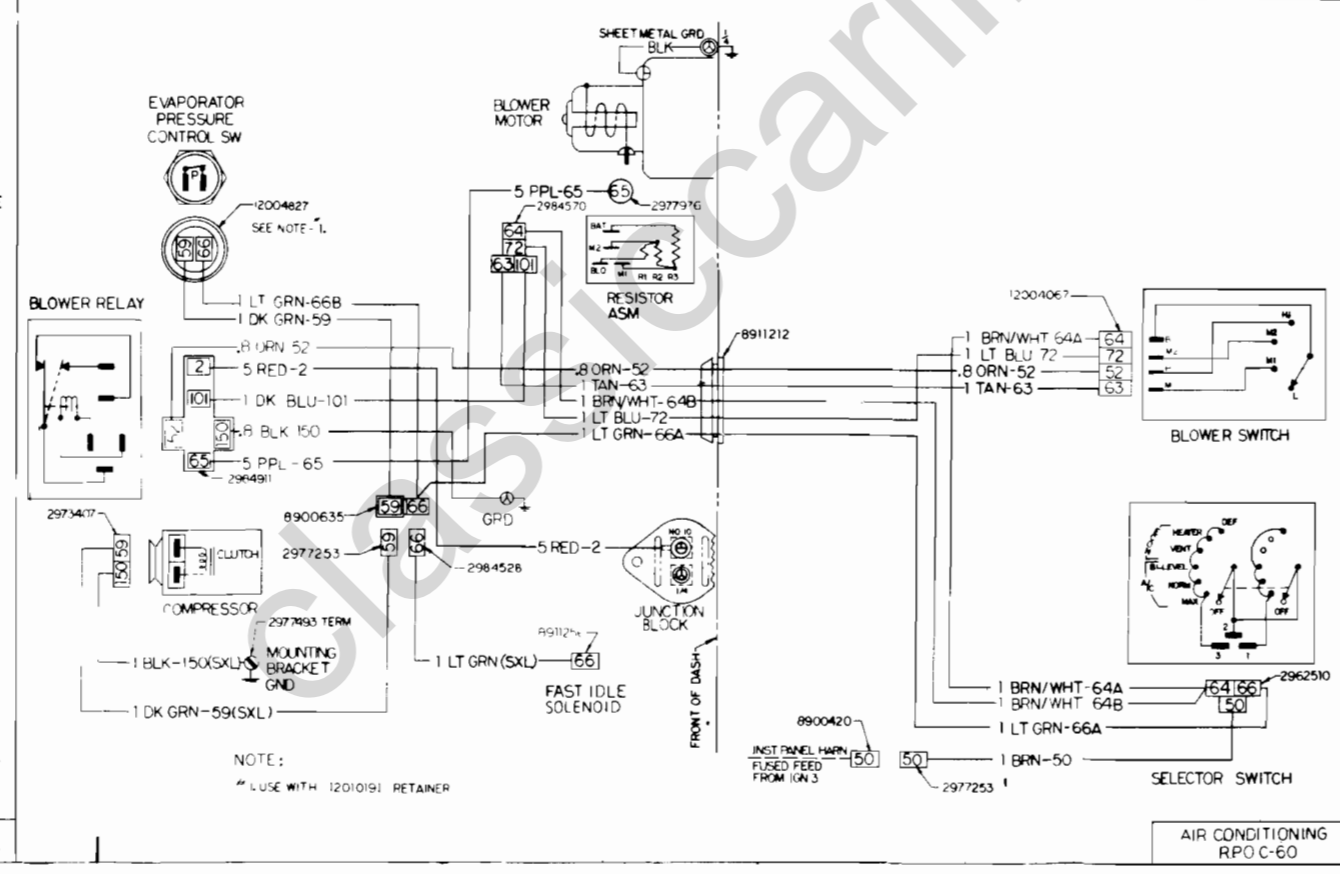
AUTOMATIC TRANSMISSION
R.P.O. M4



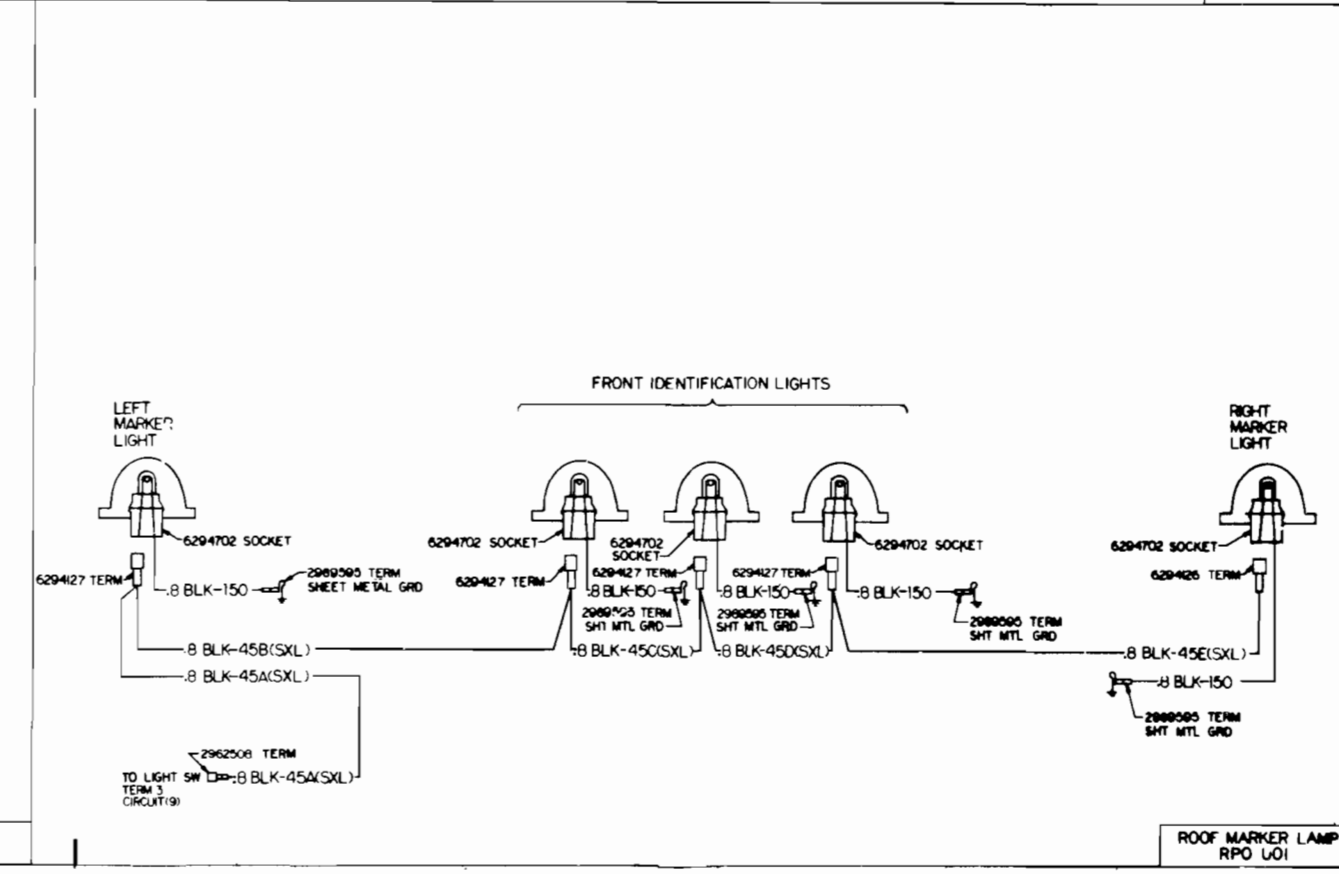
POWER REAR WINDOW
R.P.O. A33



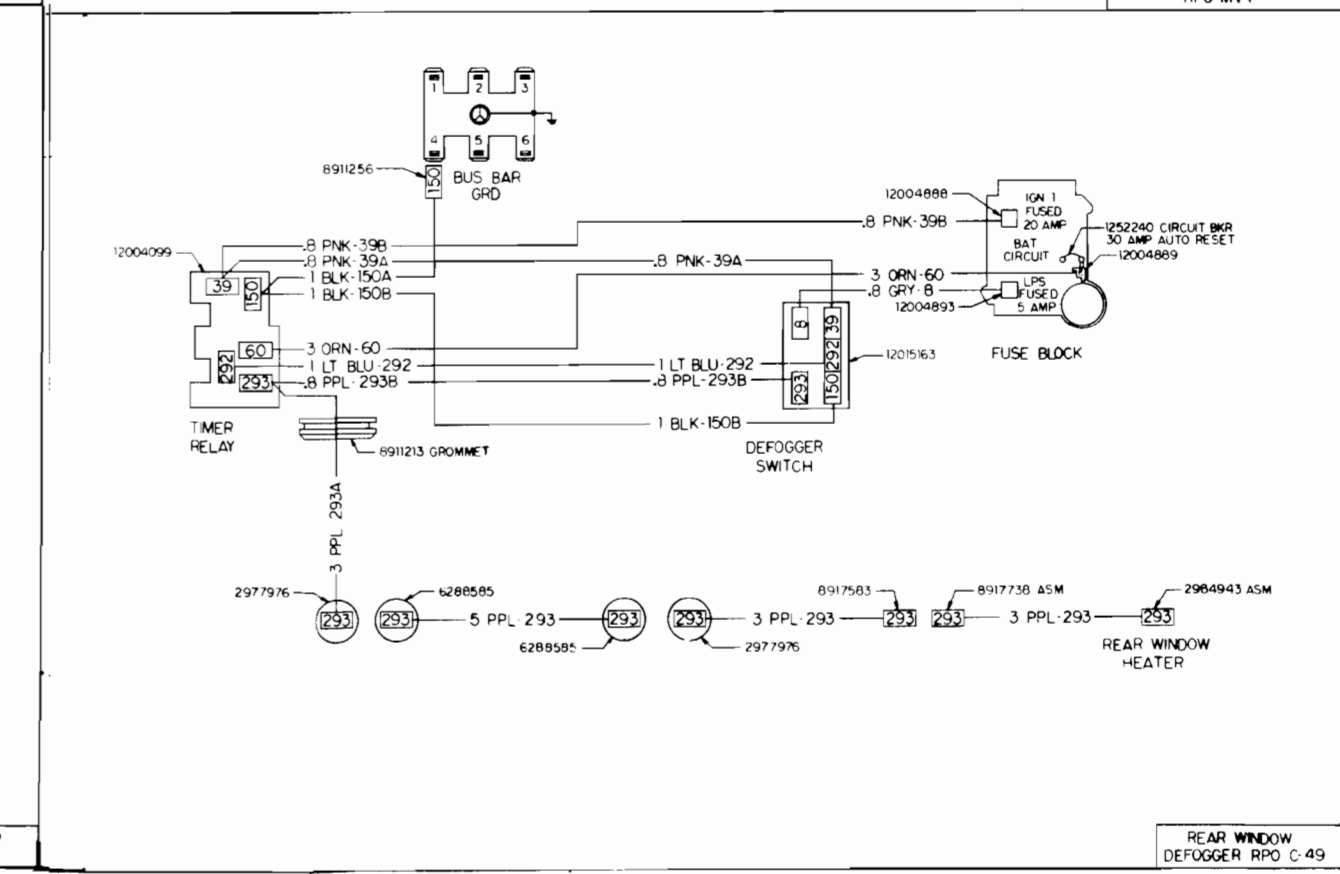
AUXILIARY FUEL TANK
ALL BUT R.P.O. LMS & LL4



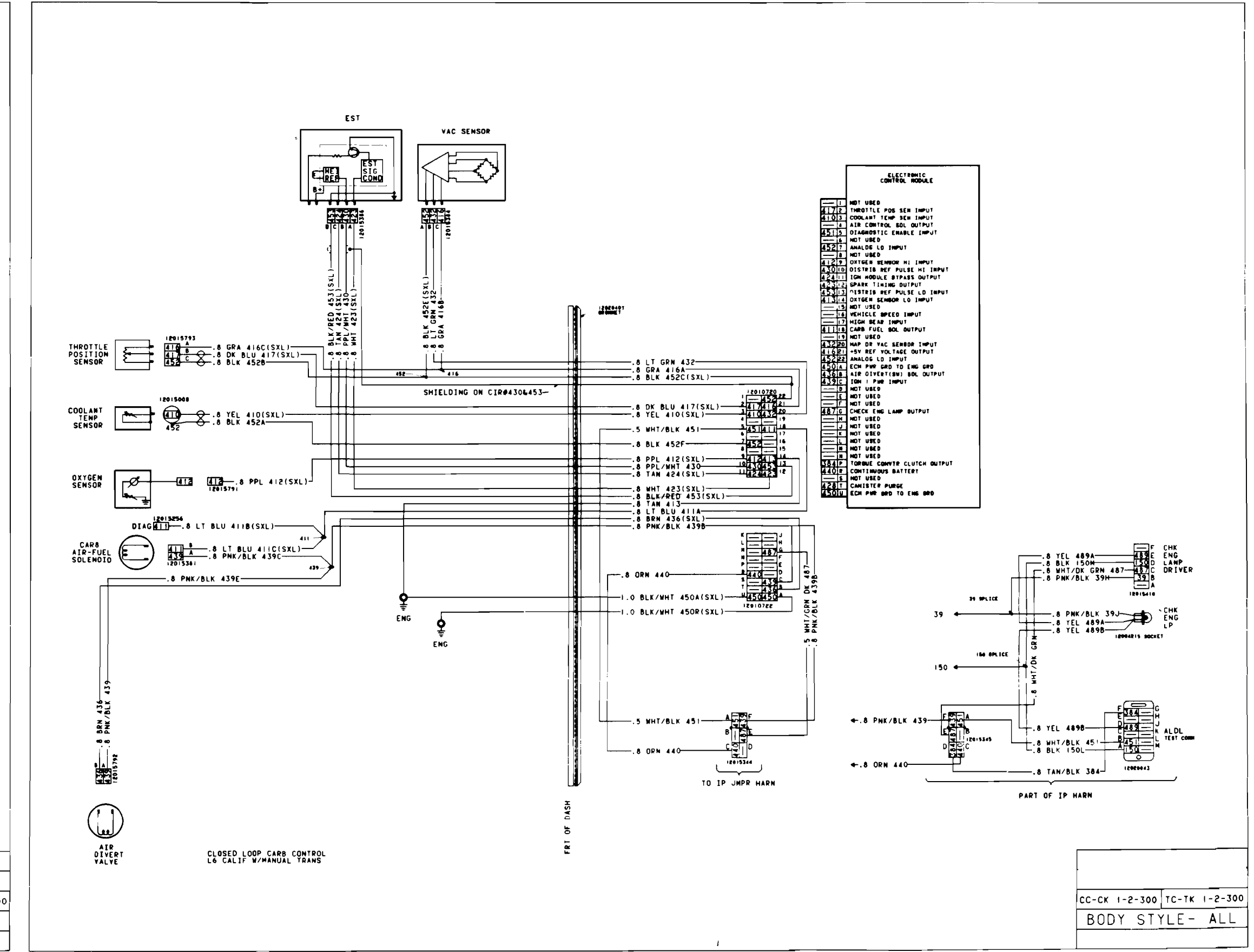
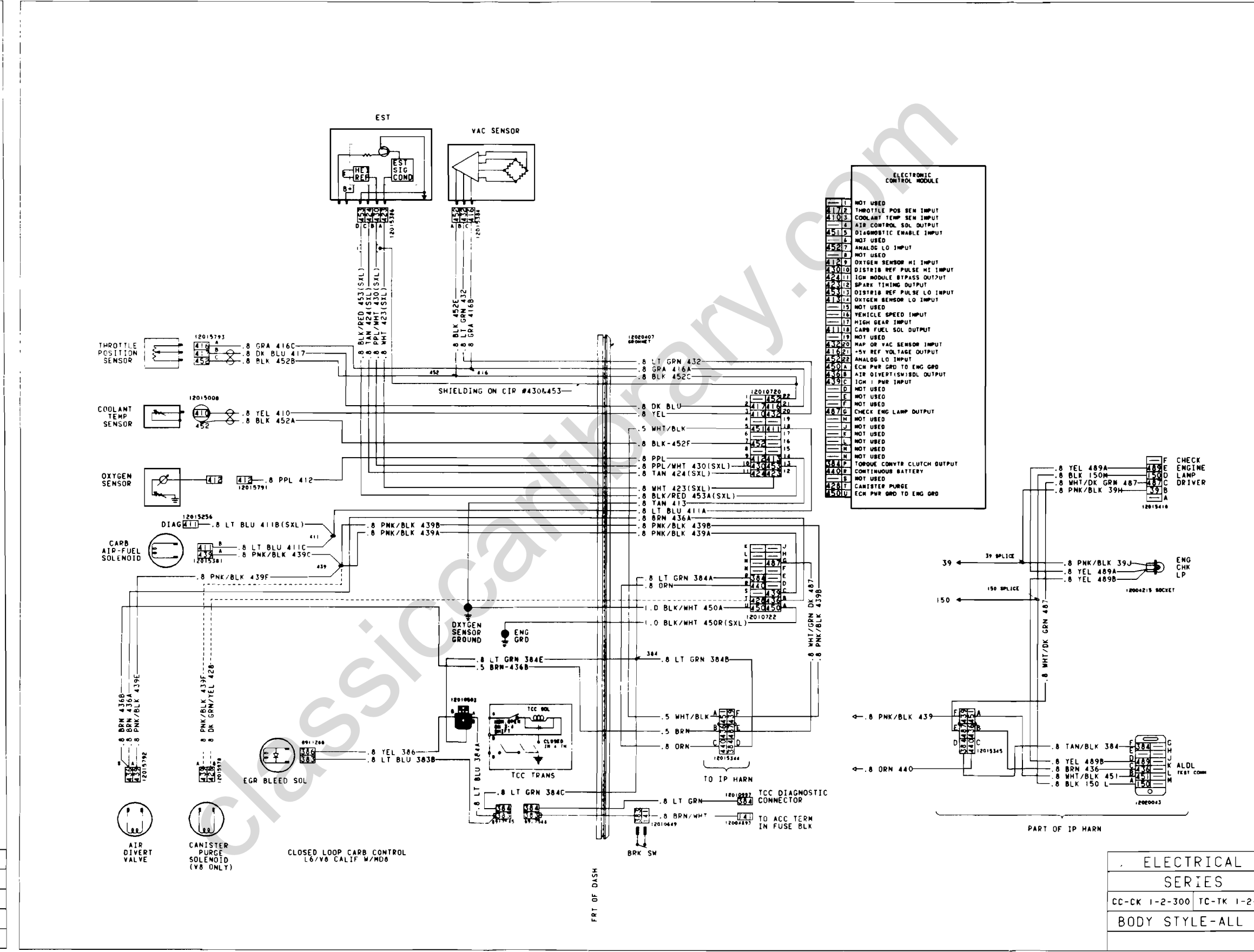
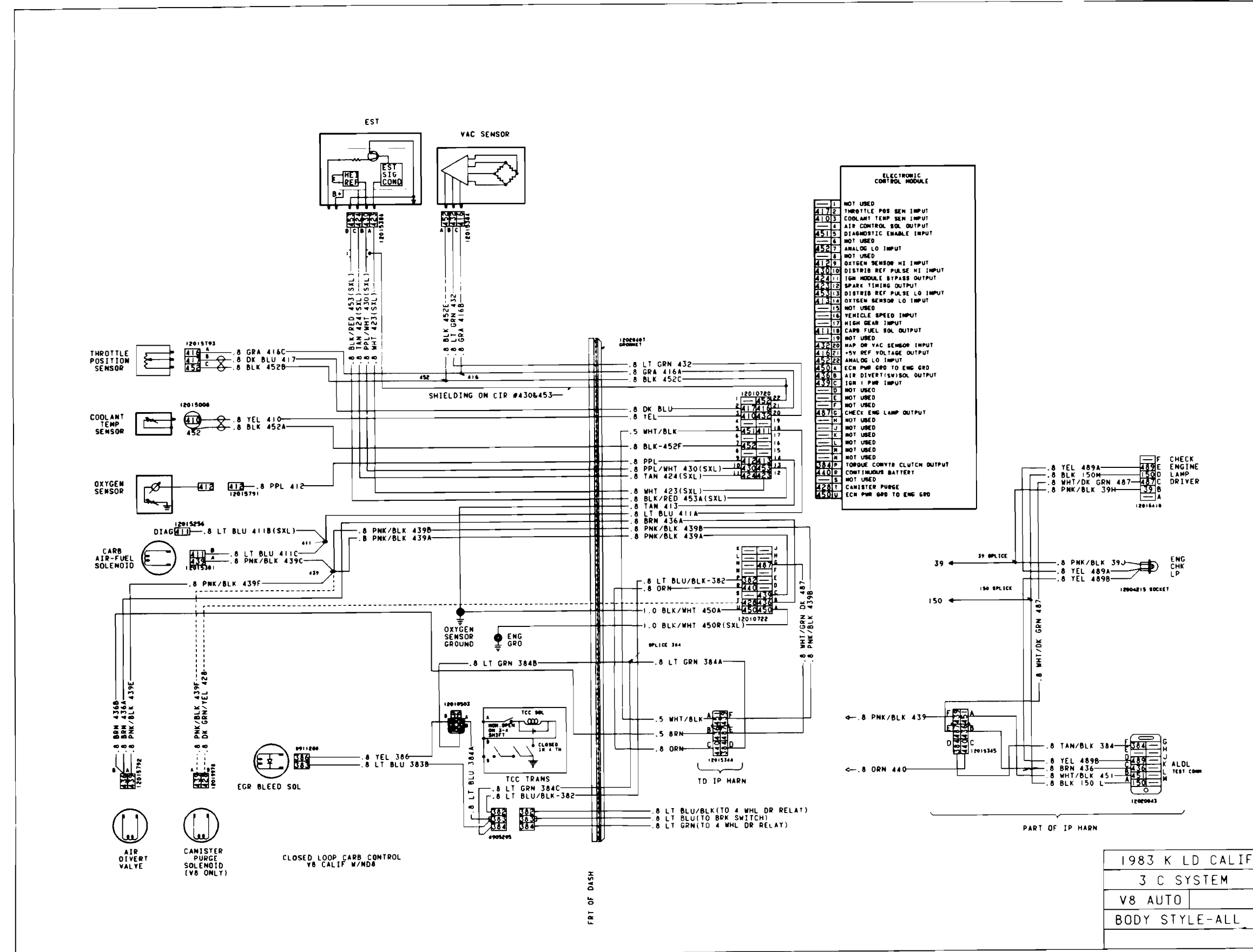
AIR CONDITIONING
R.P.O. C-60

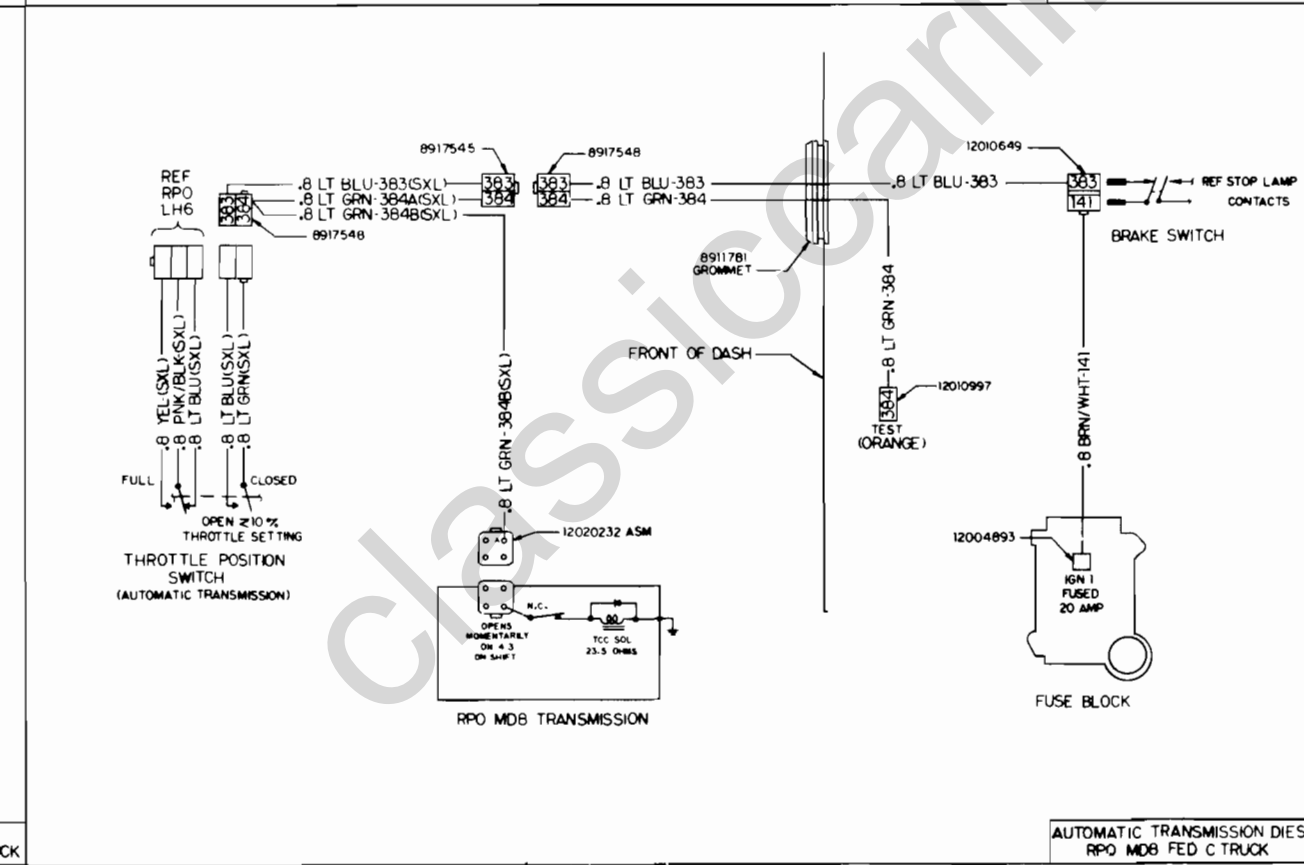
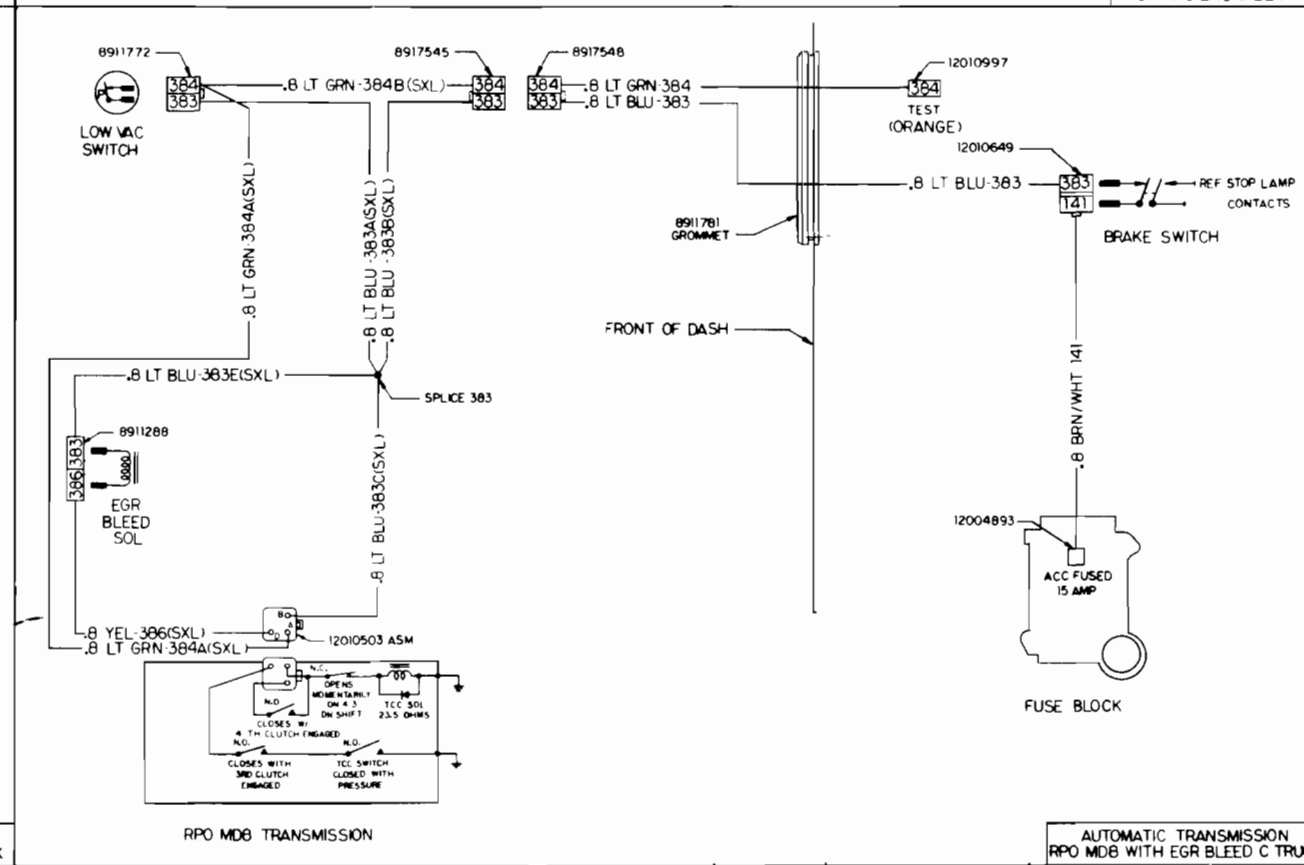
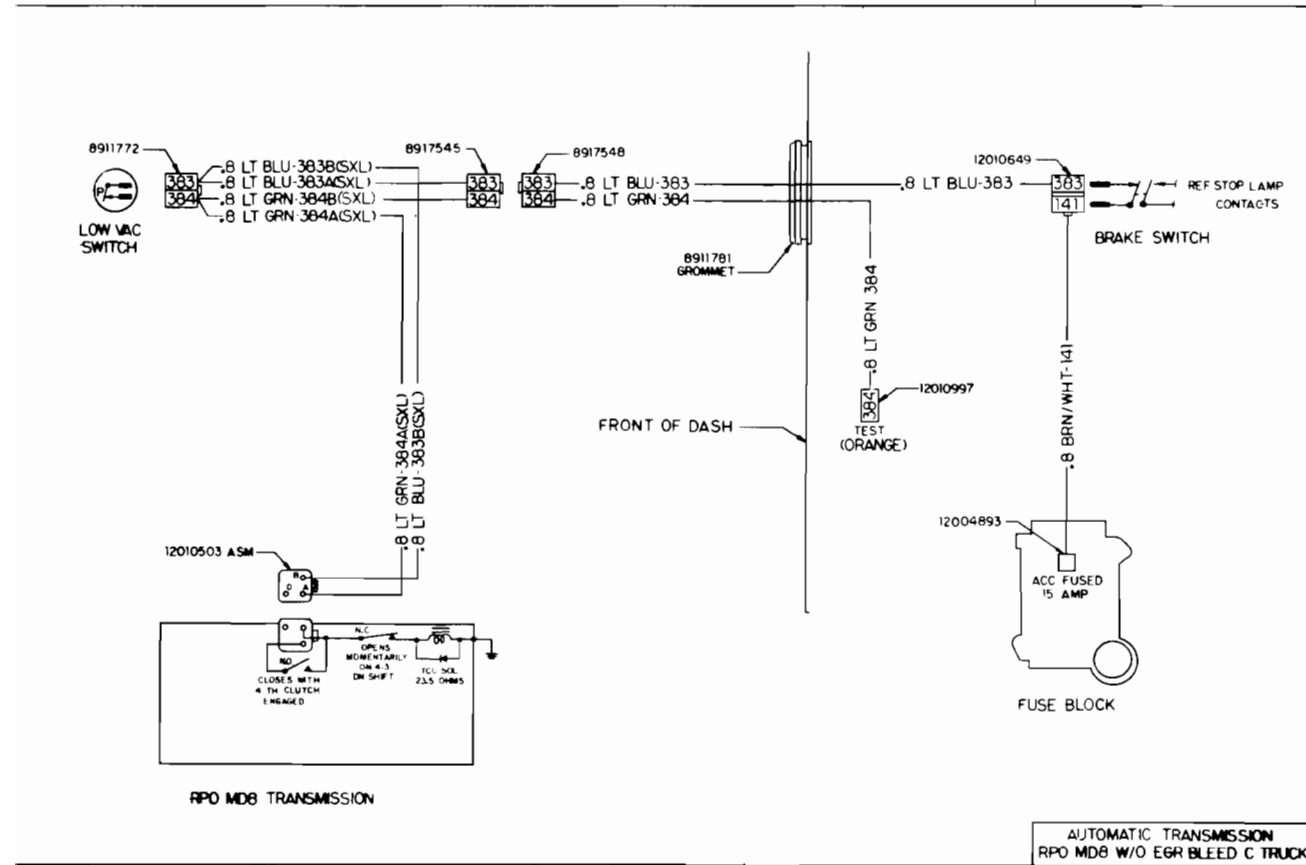
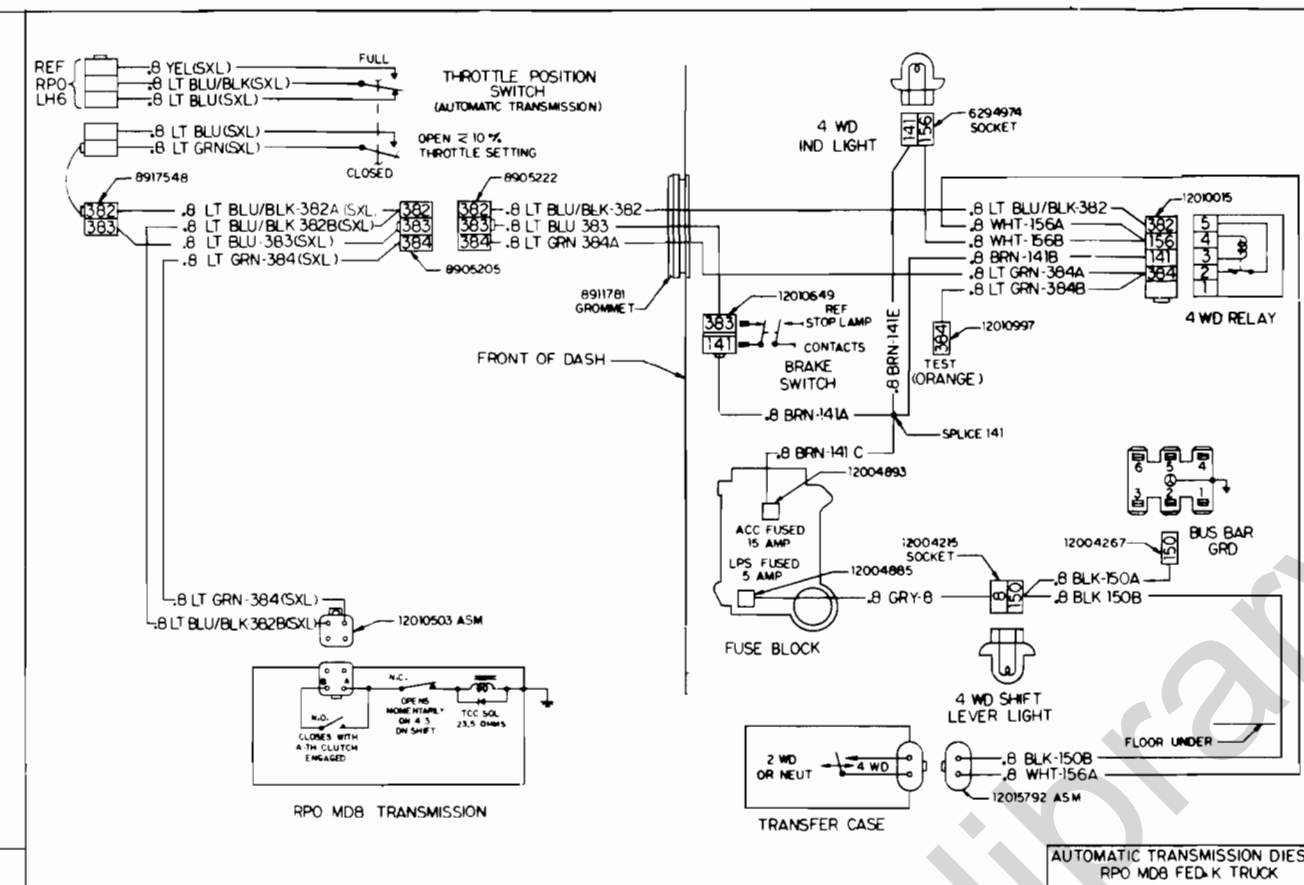
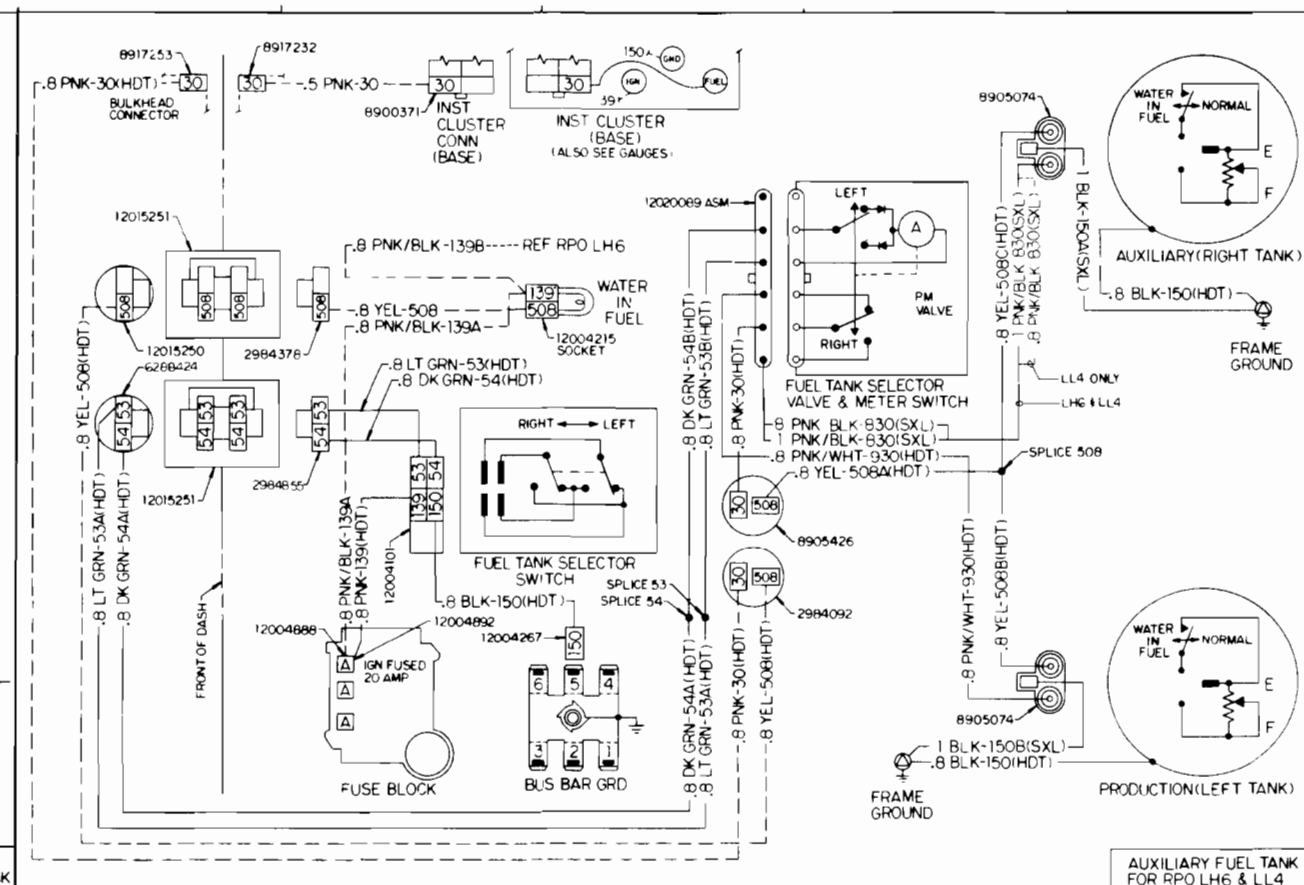
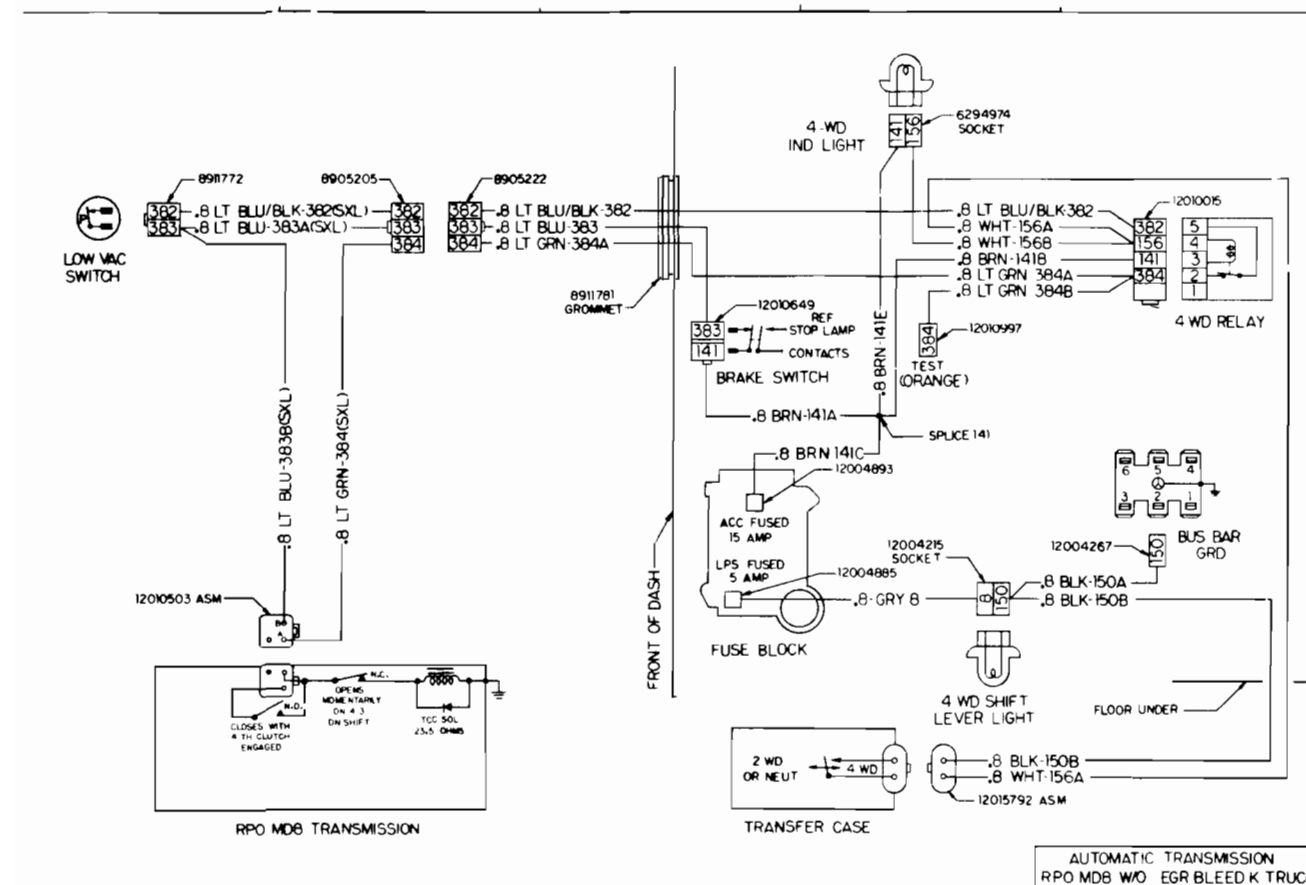


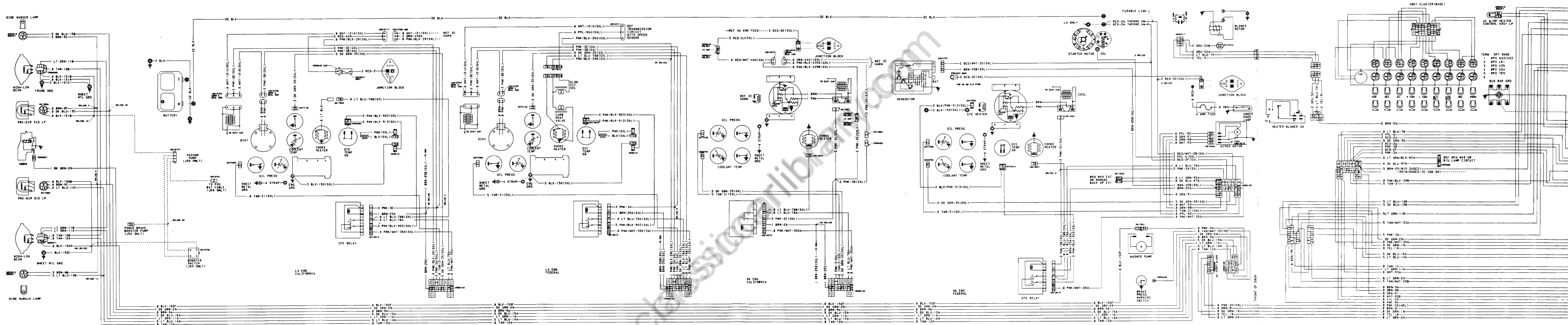
FRONT IDENTIFICATION LIGHTS



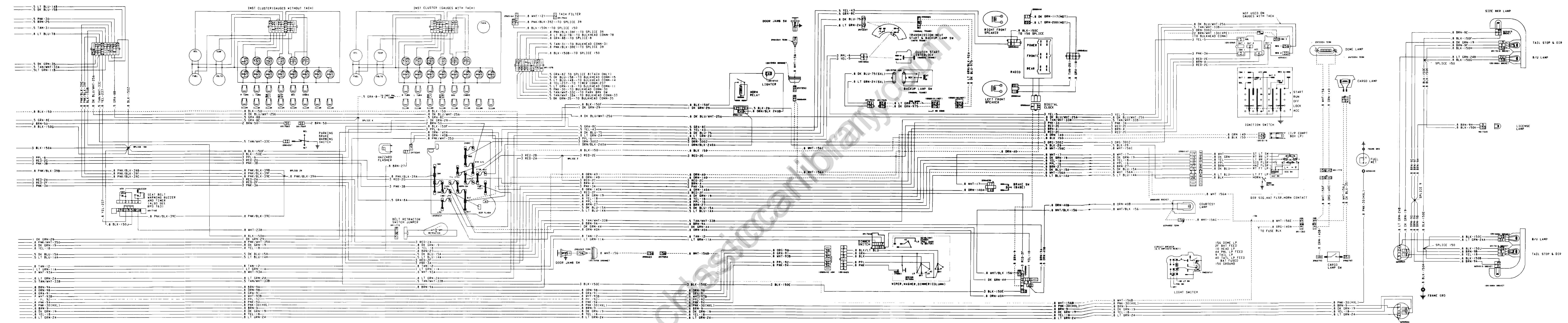
REAR WINDOW
DEFOGGER R.P.O. C-49



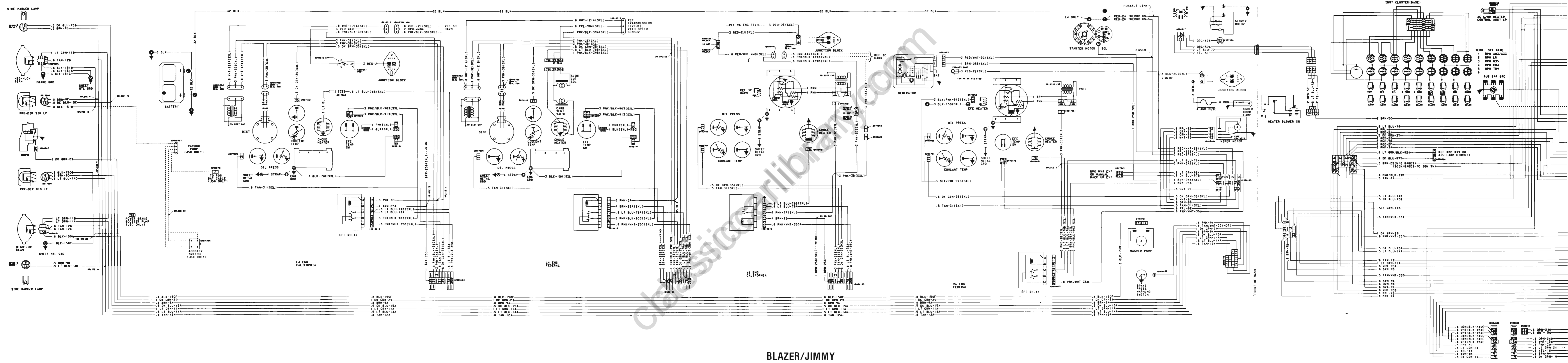




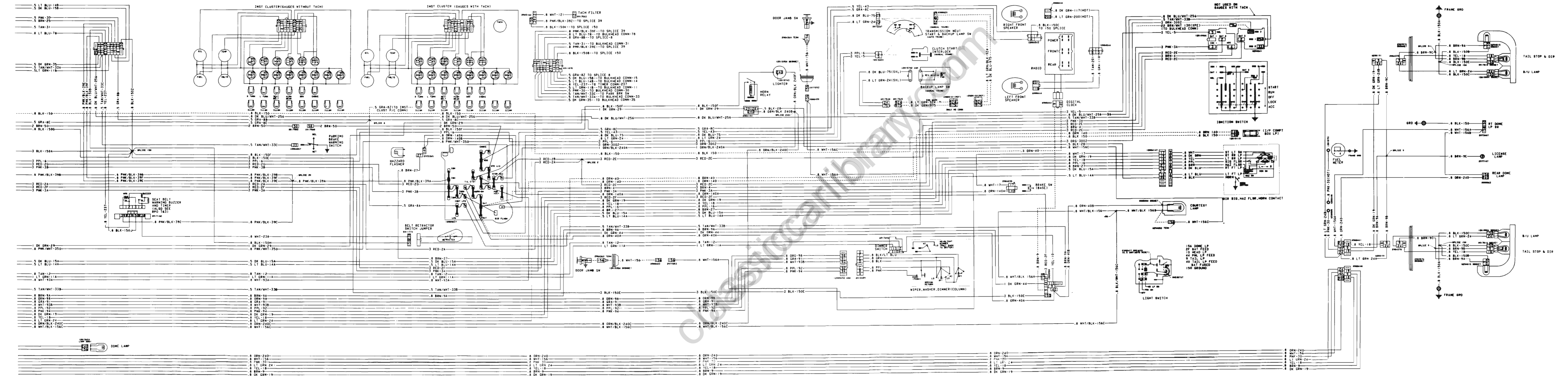
EXCEPT BLAZER/JIMMY

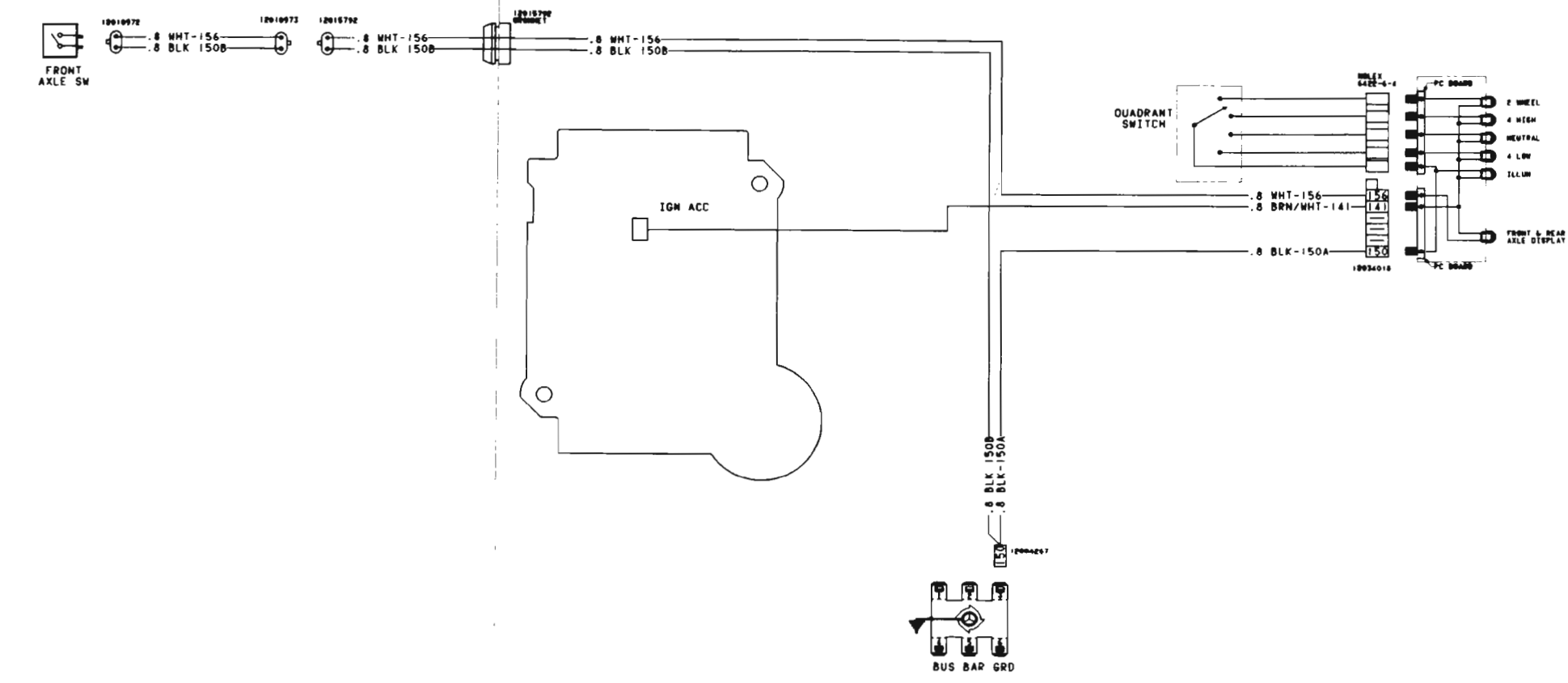


EXCEPT BLAZER/JIMMY

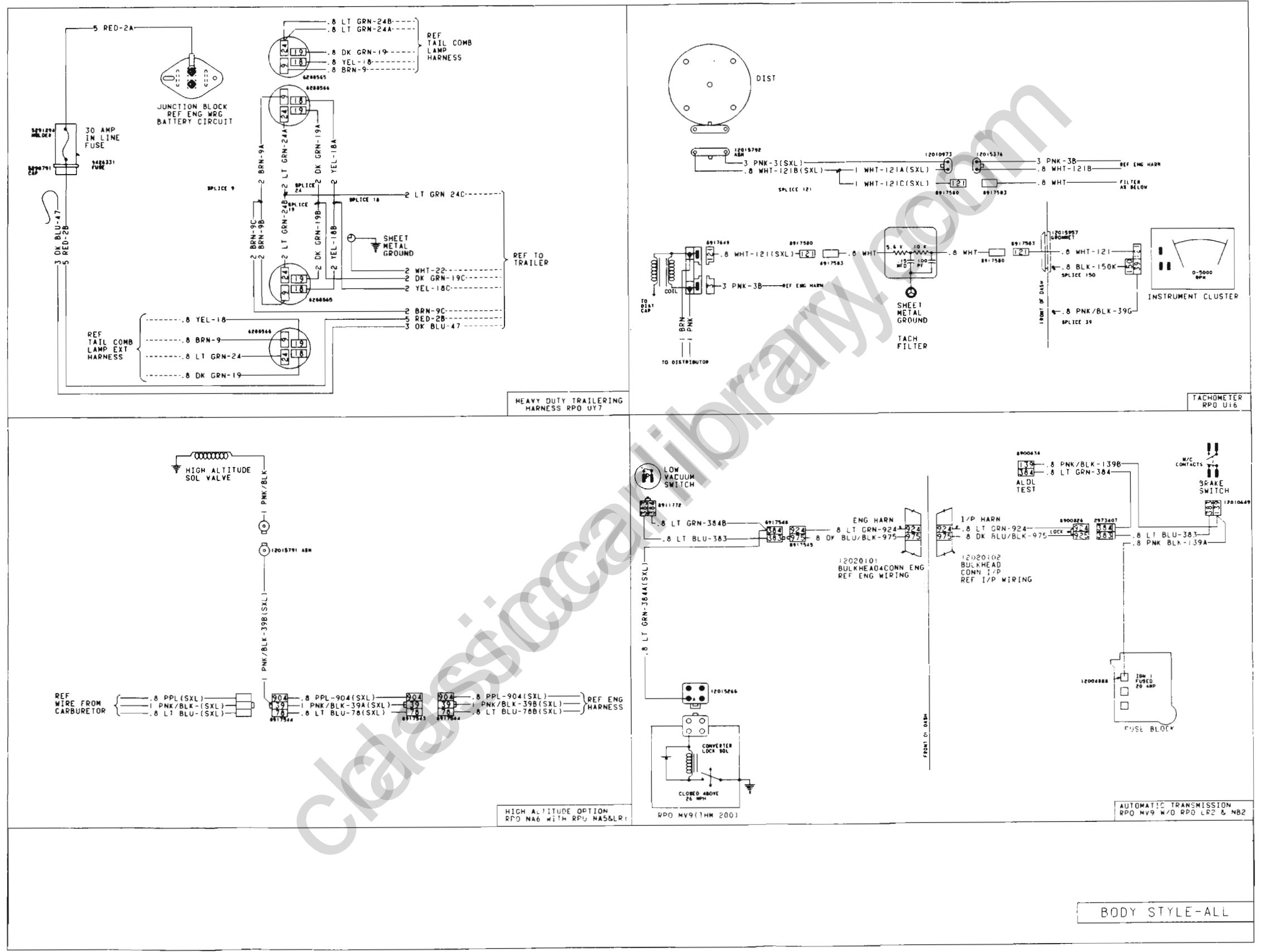


BLAZER/JIMMY

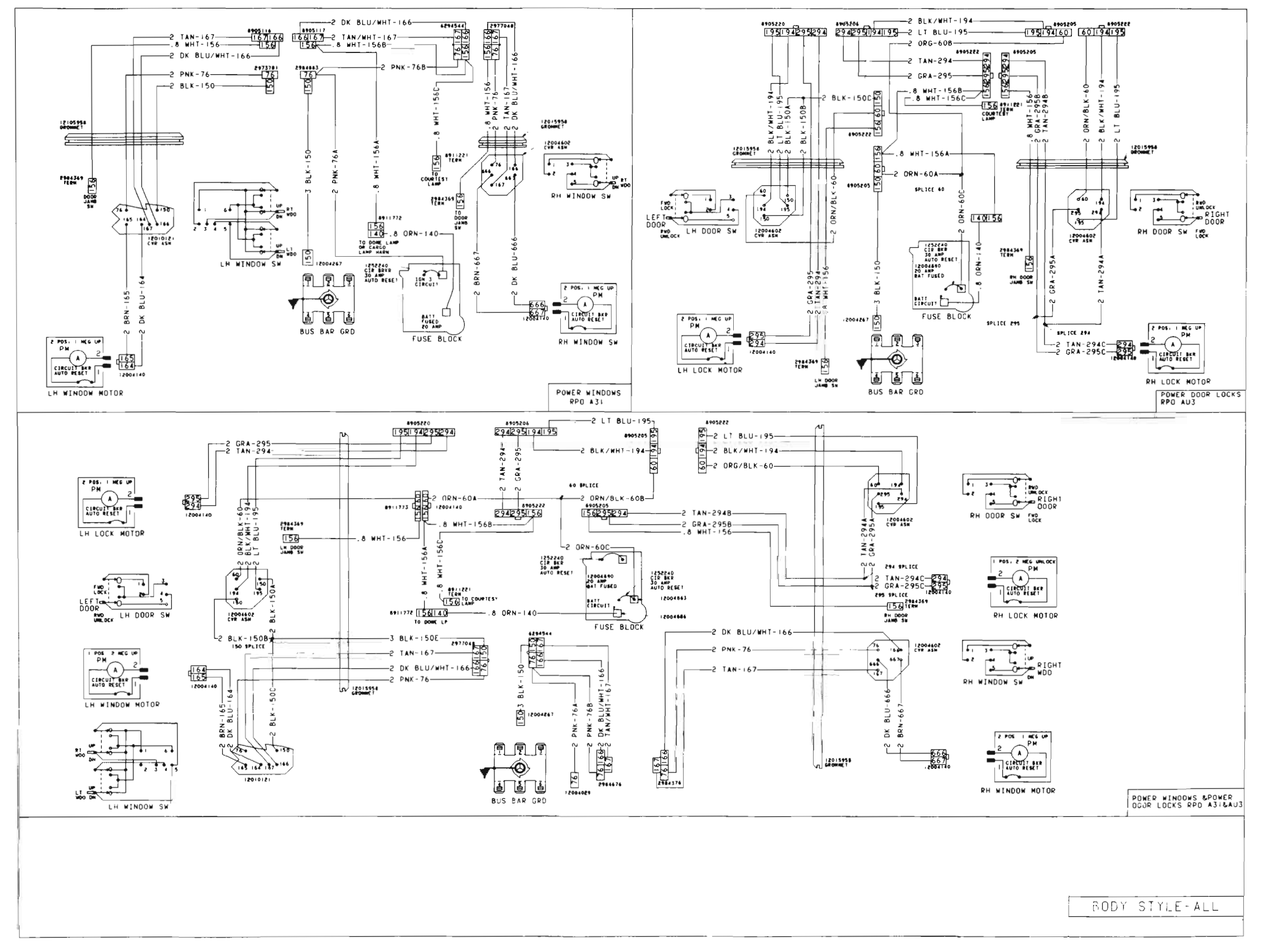




4 WHEEL DRIVE INDICATOR LAMP CIRCUITRY

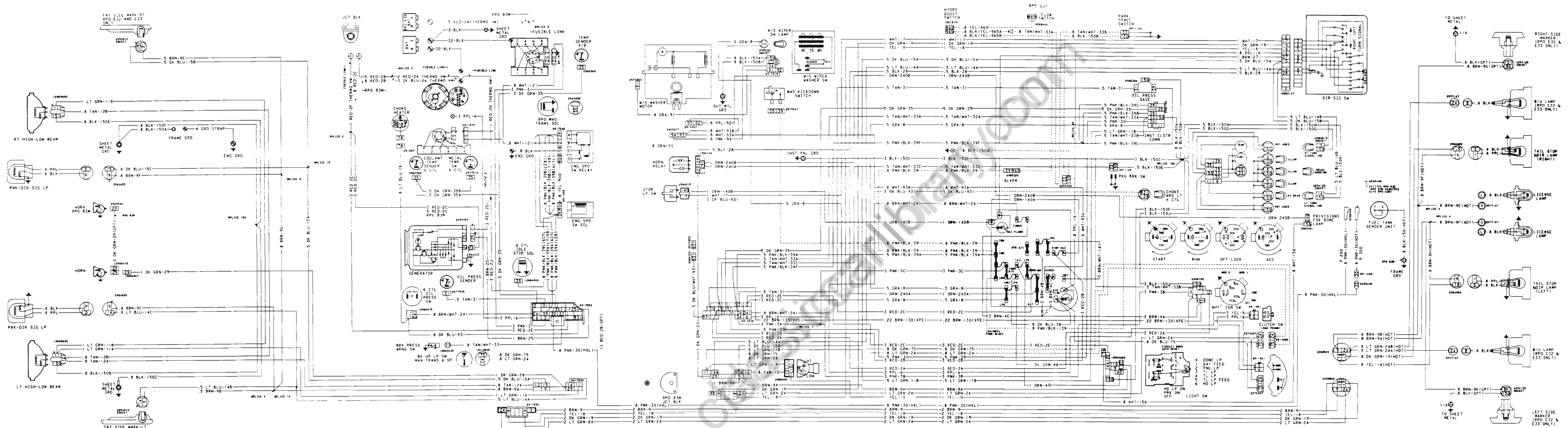


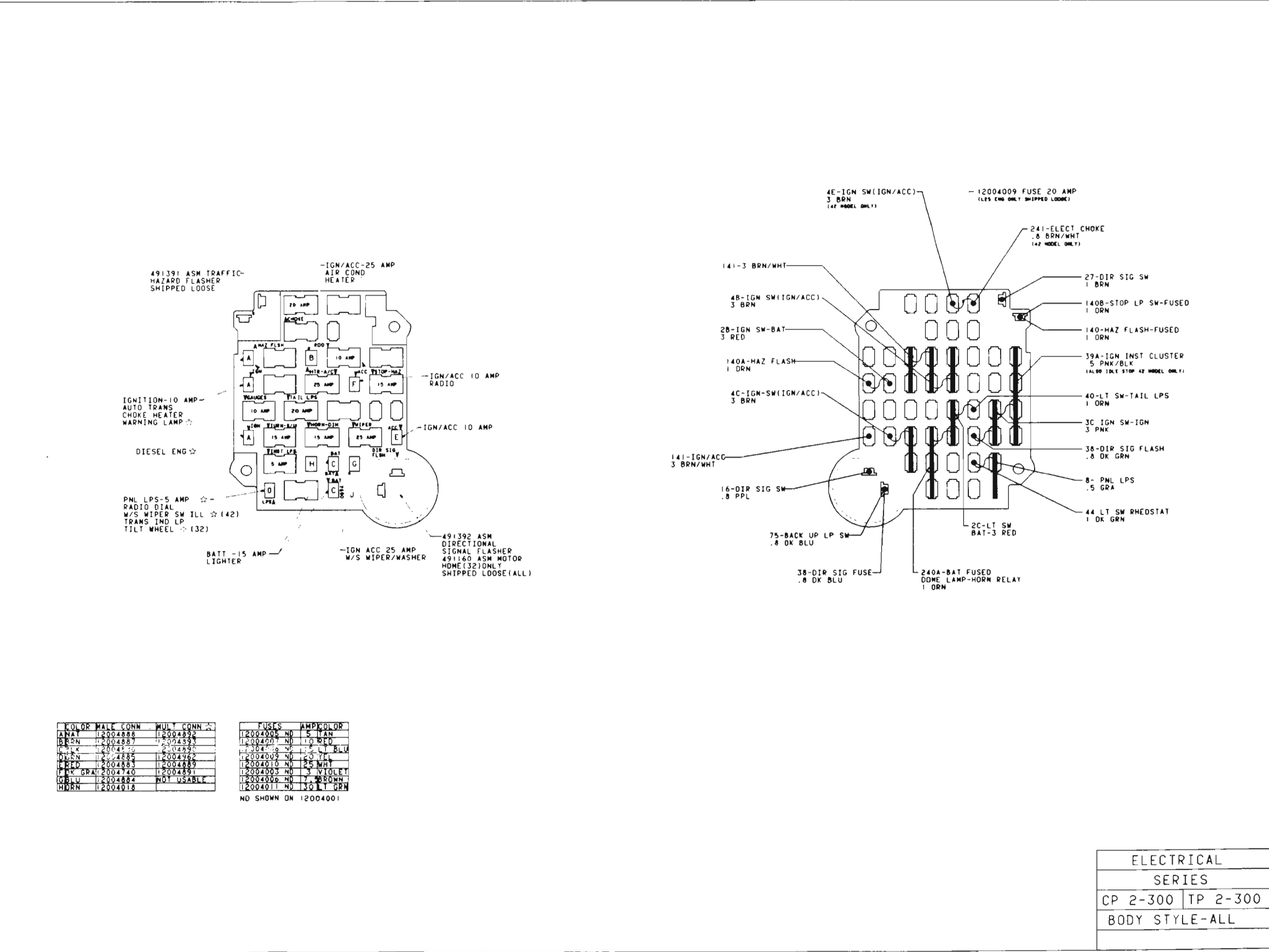
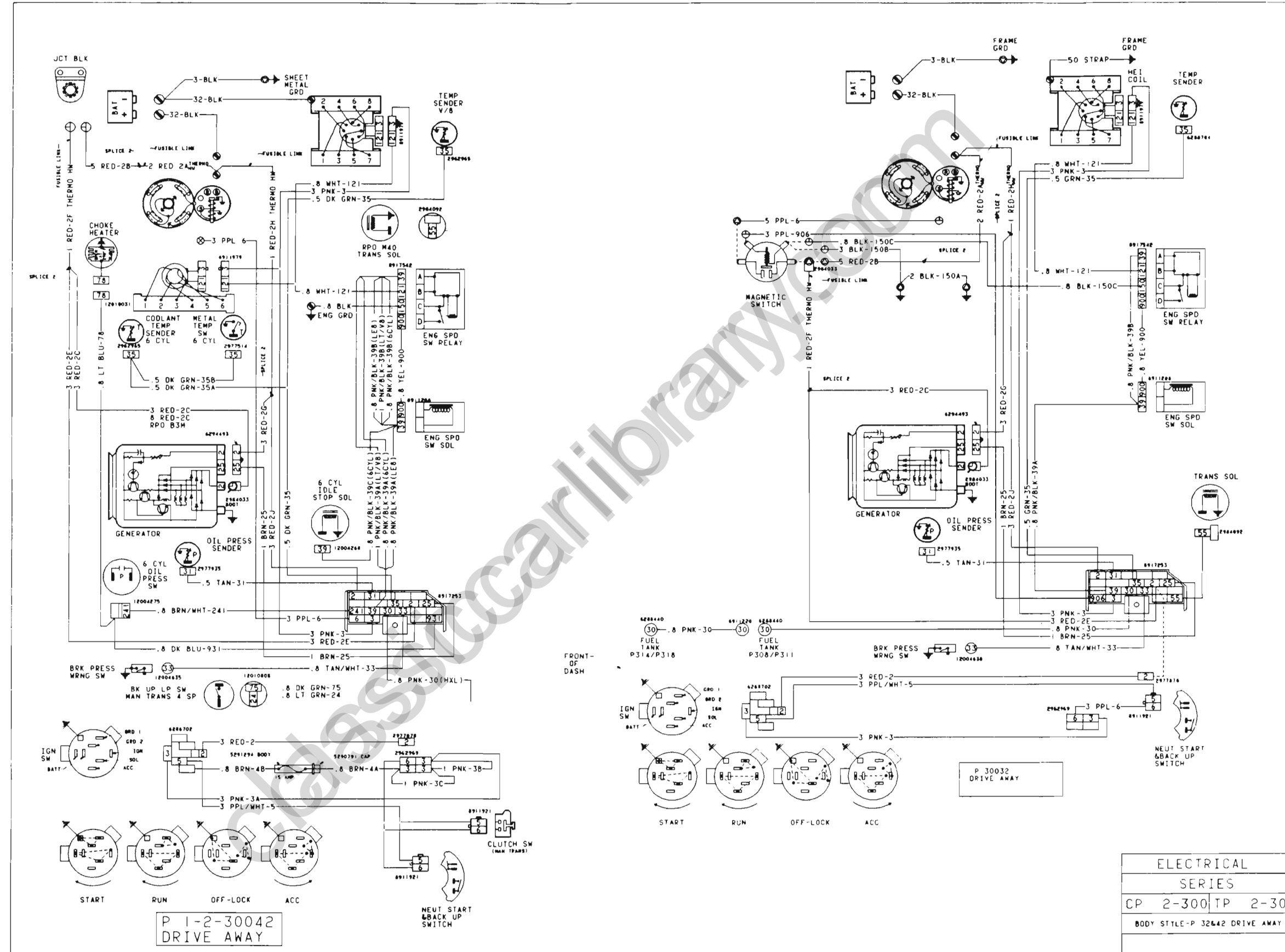
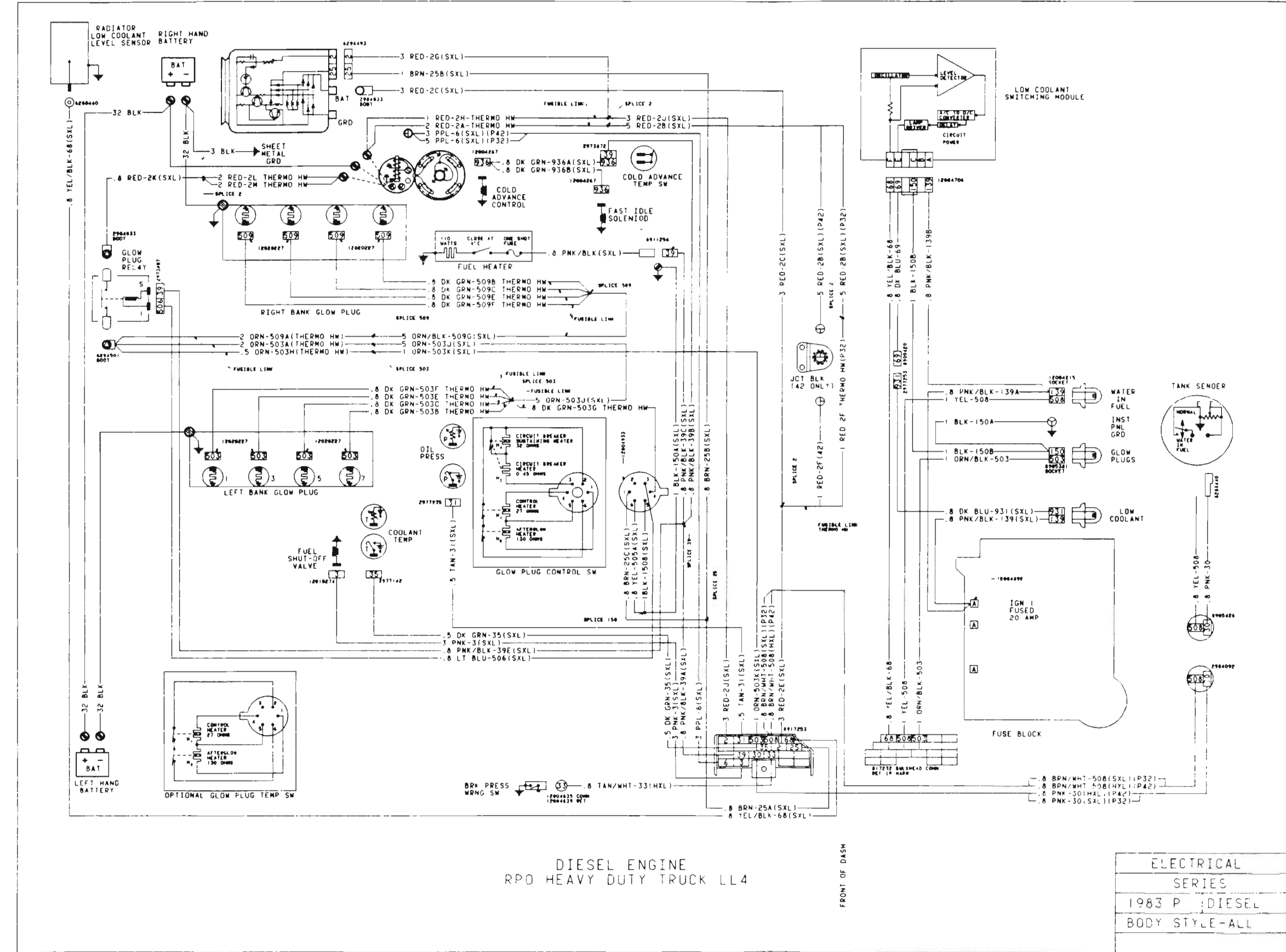
BODY STYLE-ALL



BODY STYLE-ALL

P TRUCK 3A

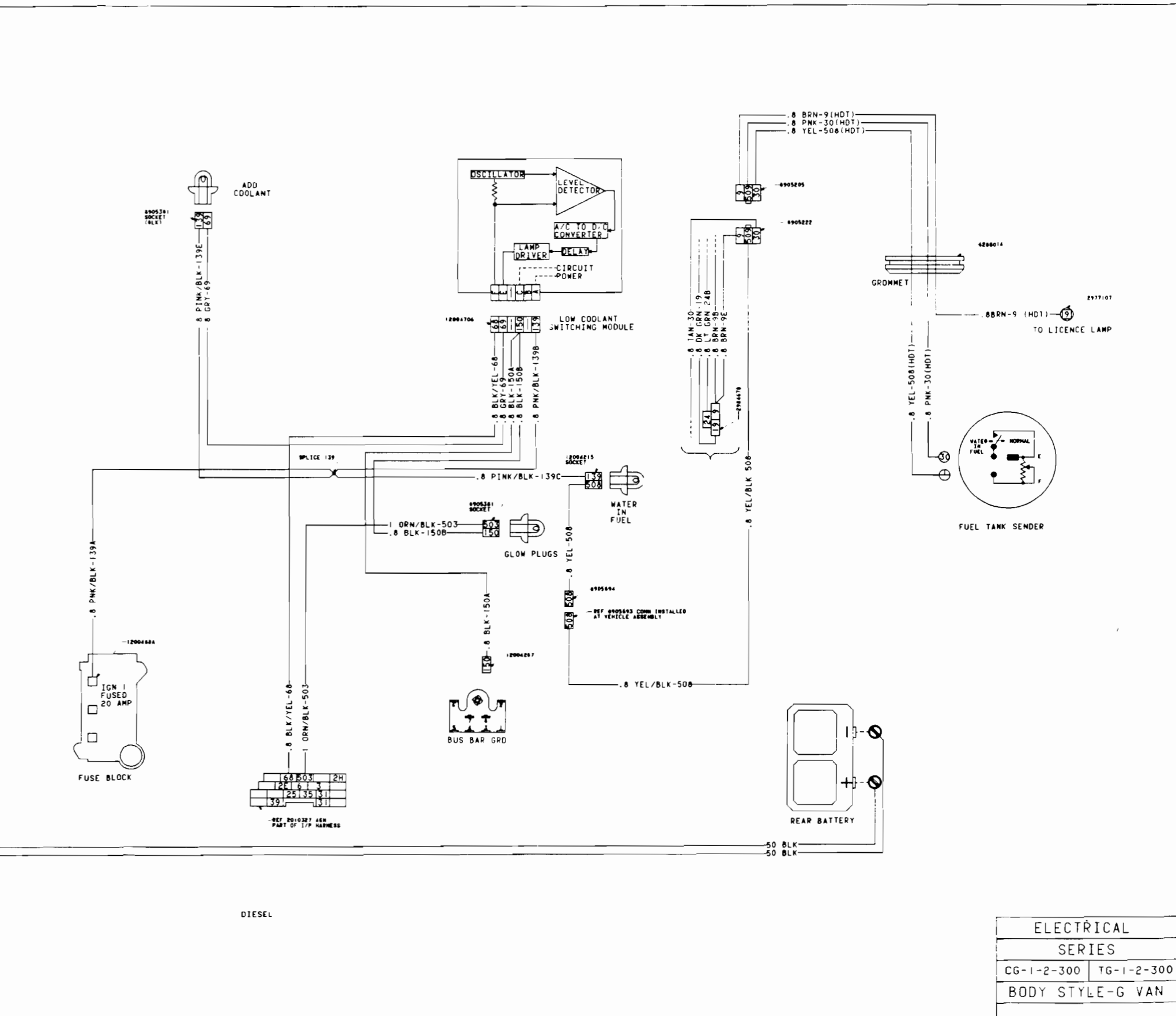
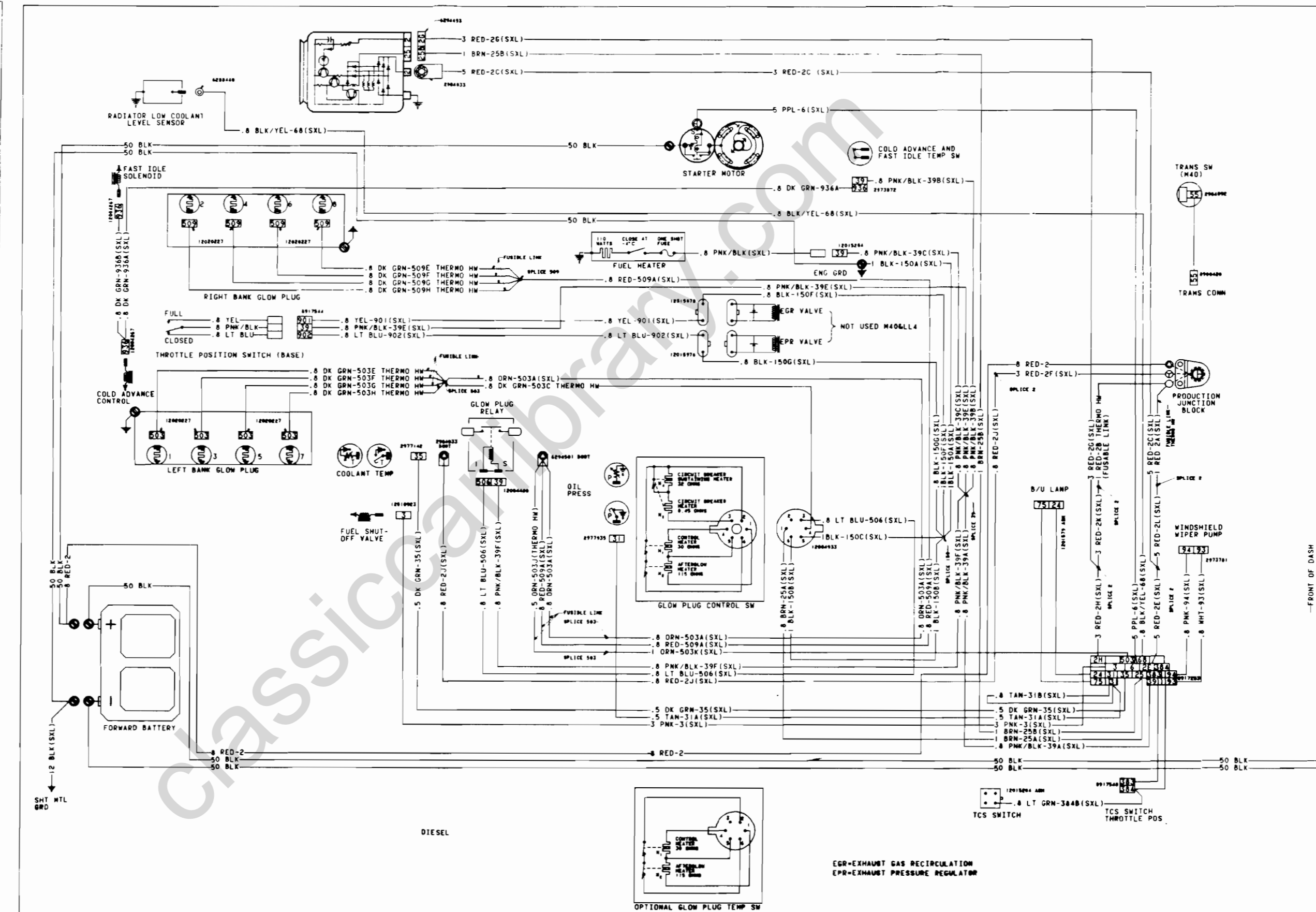
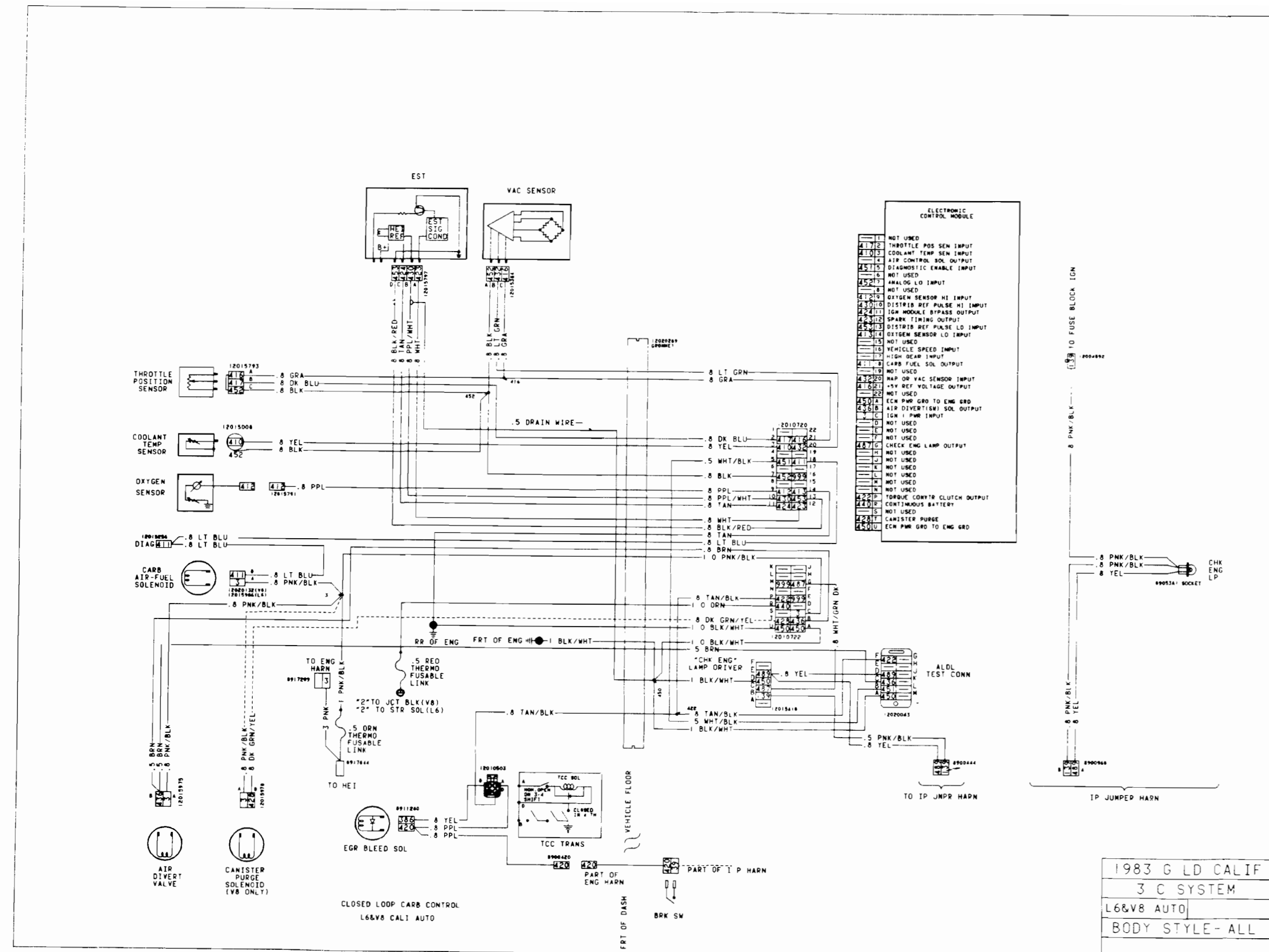


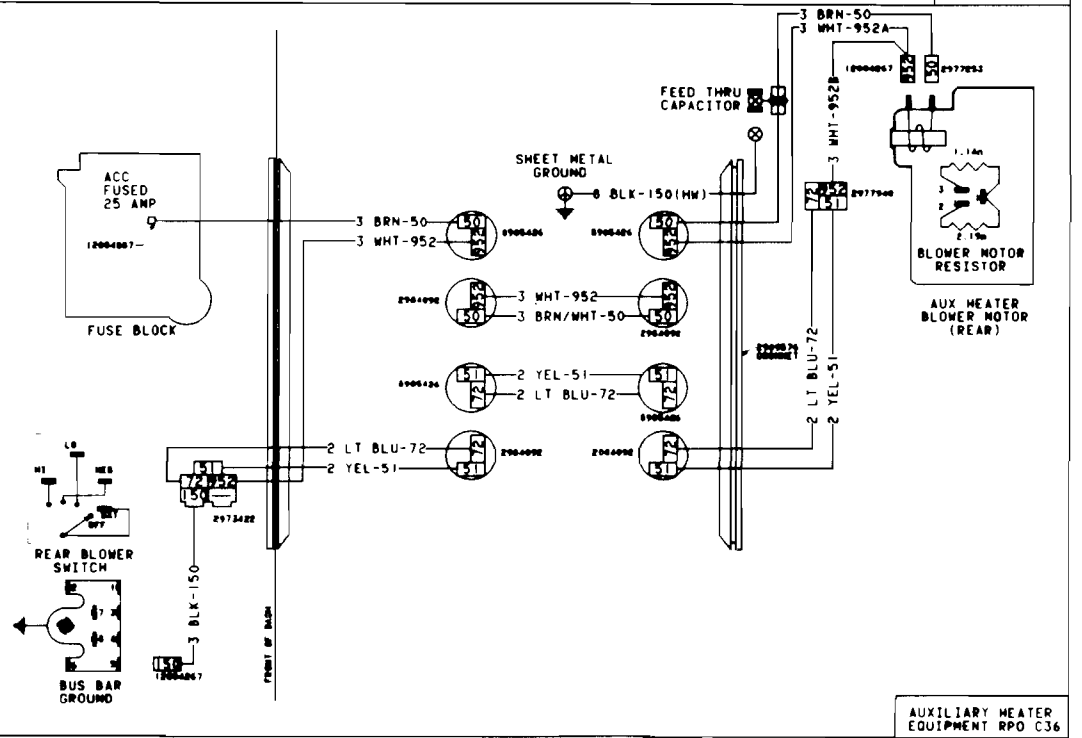
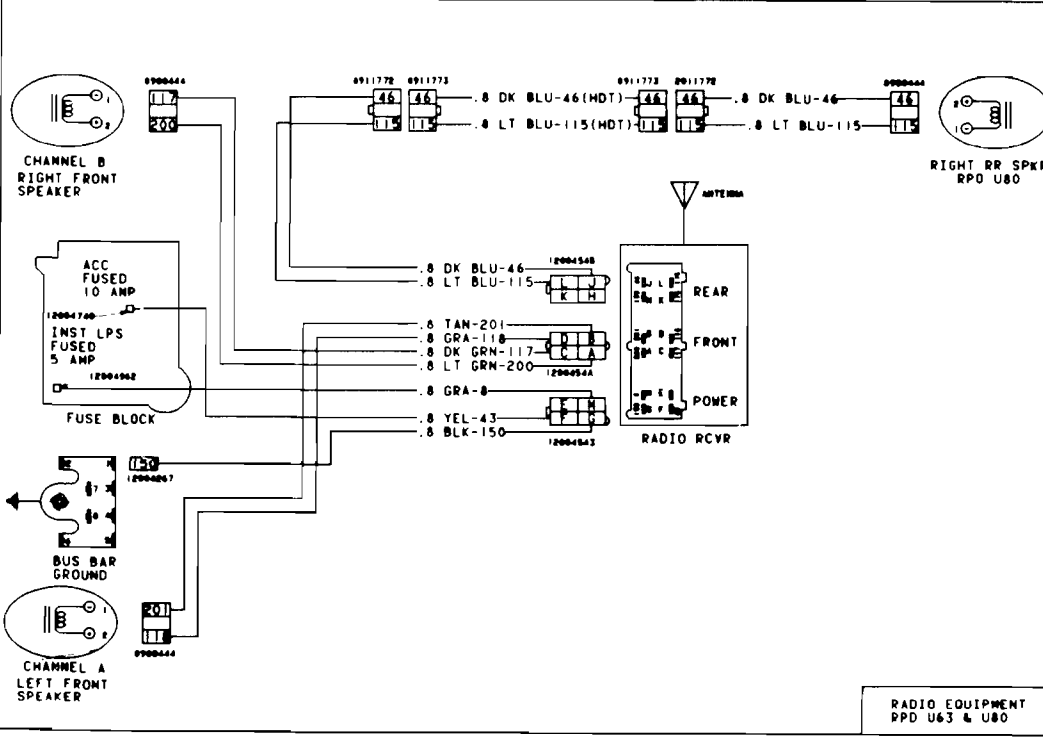
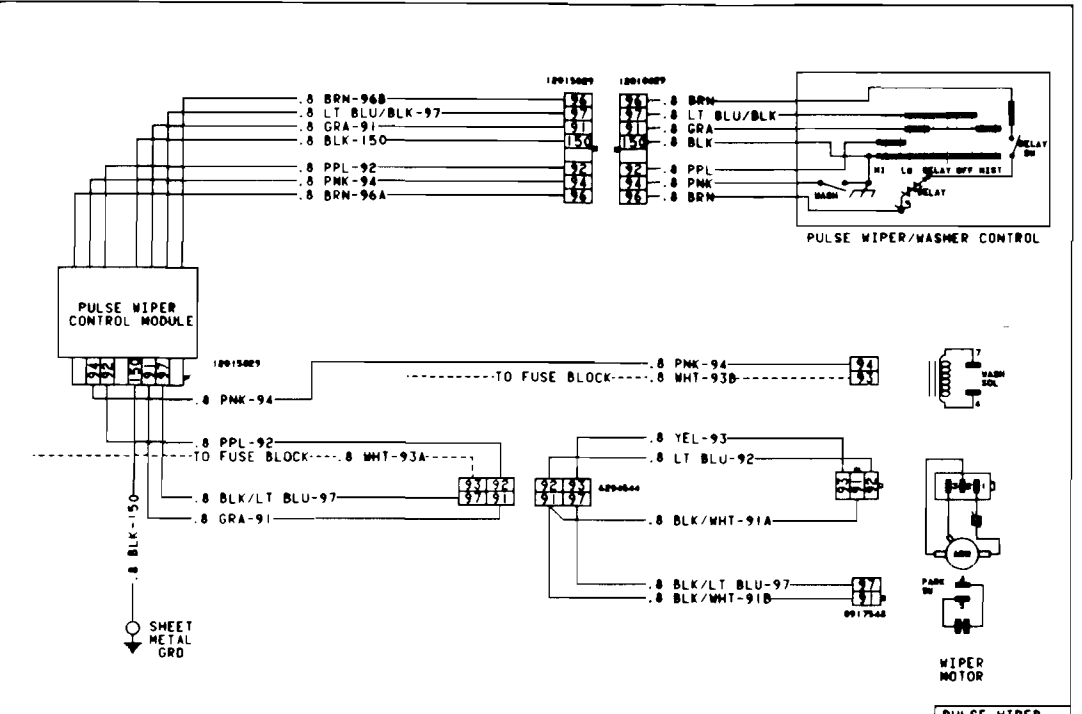
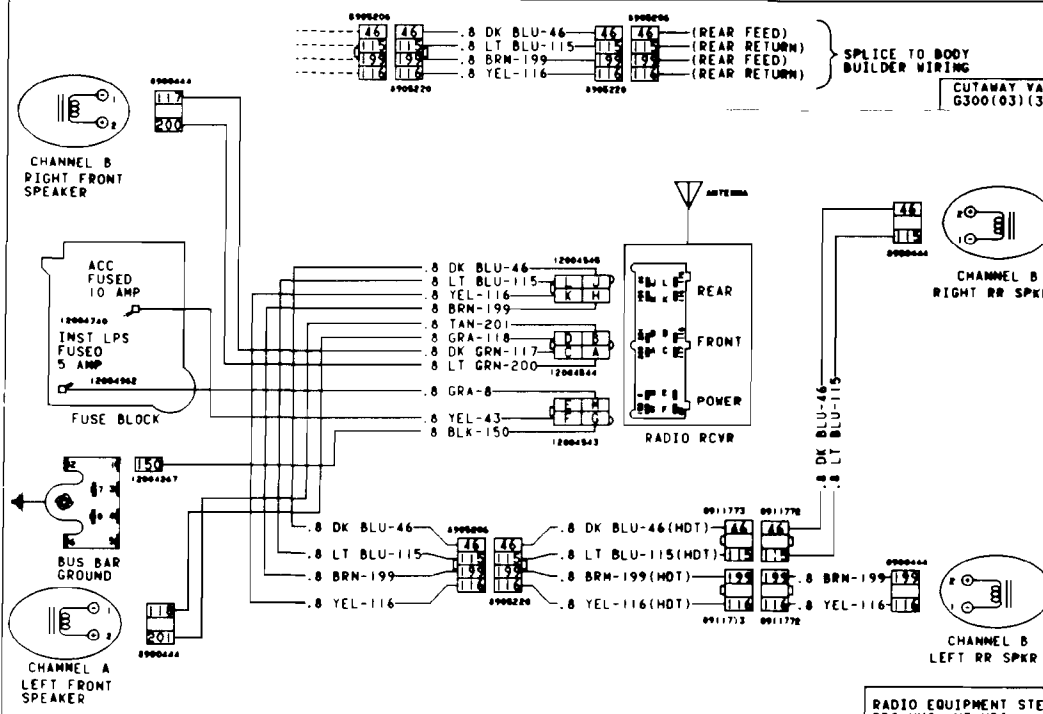


COLOR	WIRE GAGE	MULTI CONN. 2	FUSES	AMP. LOAD
BRN	12004009	12004009	12004009	15 WFO
BLU	12004008	12004008	12004008	15 WFO
GRN	12004007	12004007	12004007	15 WFO
RED	12004006	12004006	12004006	15 WFO
WHT	12004005	12004005	12004005	15 WFO
BLK	12004004	12004004	12004004	15 WFO
YEL	12004003	12004003	12004003	15 WFO
ORN	12004002	12004002	12004002	15 WFO
PUR	12004001	12004001	12004001	15 WFO
GRN	12004000	12004000	12004000	15 WFO
BLU	12004000	12004000	12004000	15 WFO
GRN	12004000	12004000	12004000	15 WFO
BLU	12004000	12004000	12004000	15 WFO
GRN	12004000	12004000	12004000	15 WFO
BLU	12004000	12004000	12004000	15 WFO

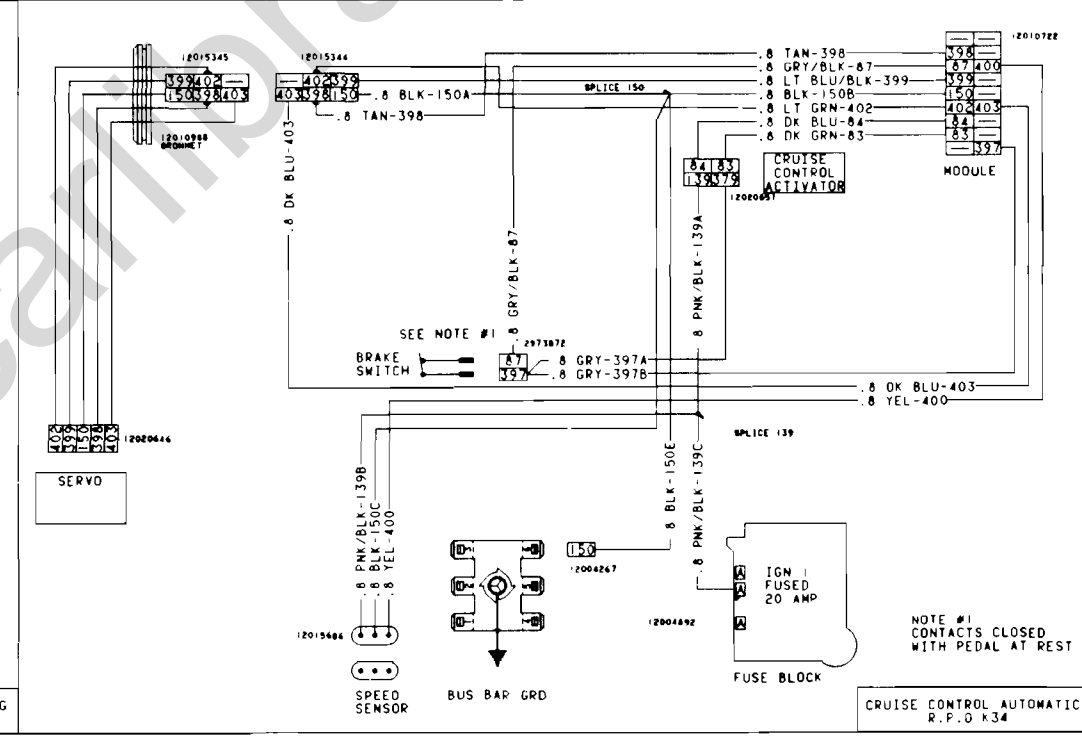
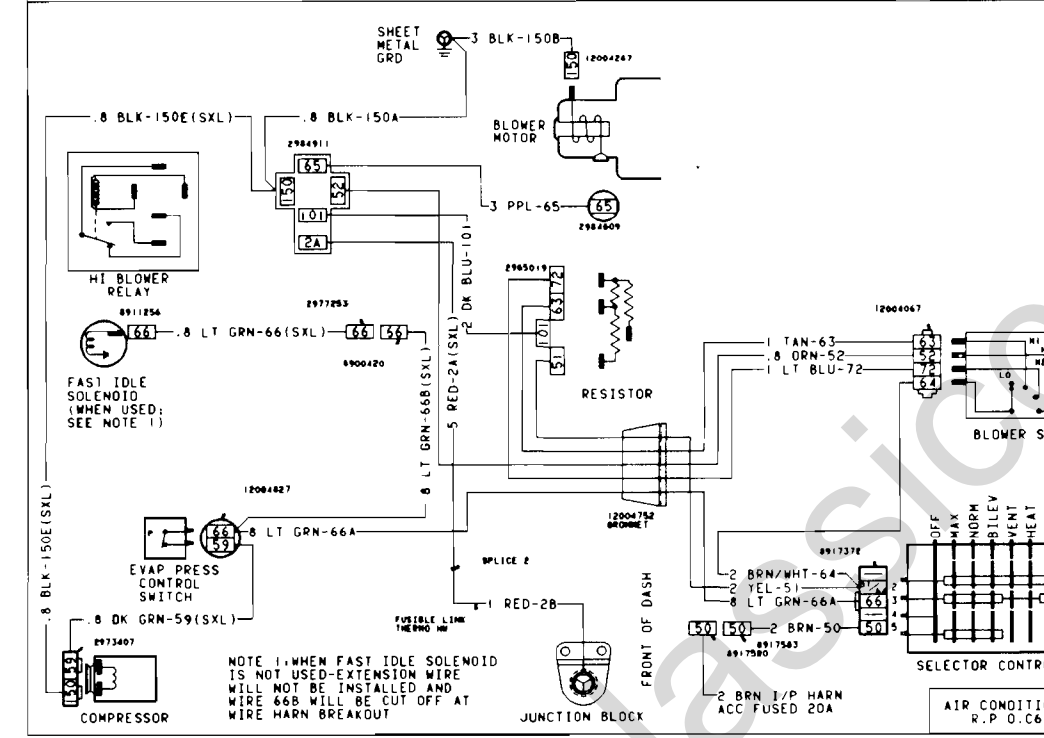
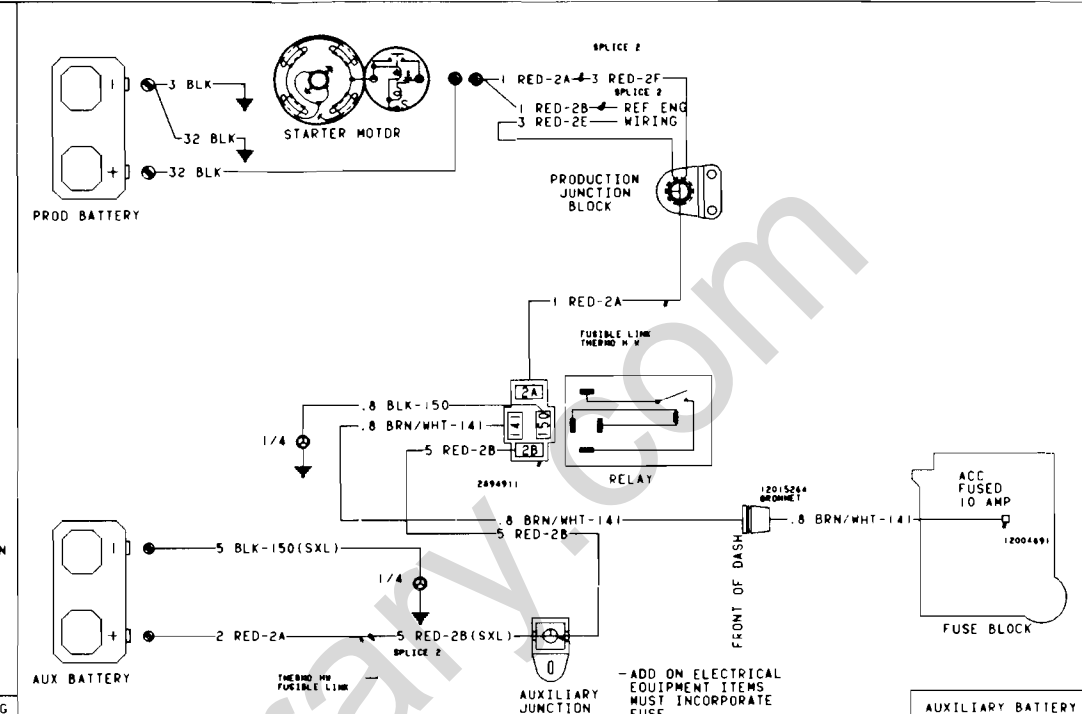
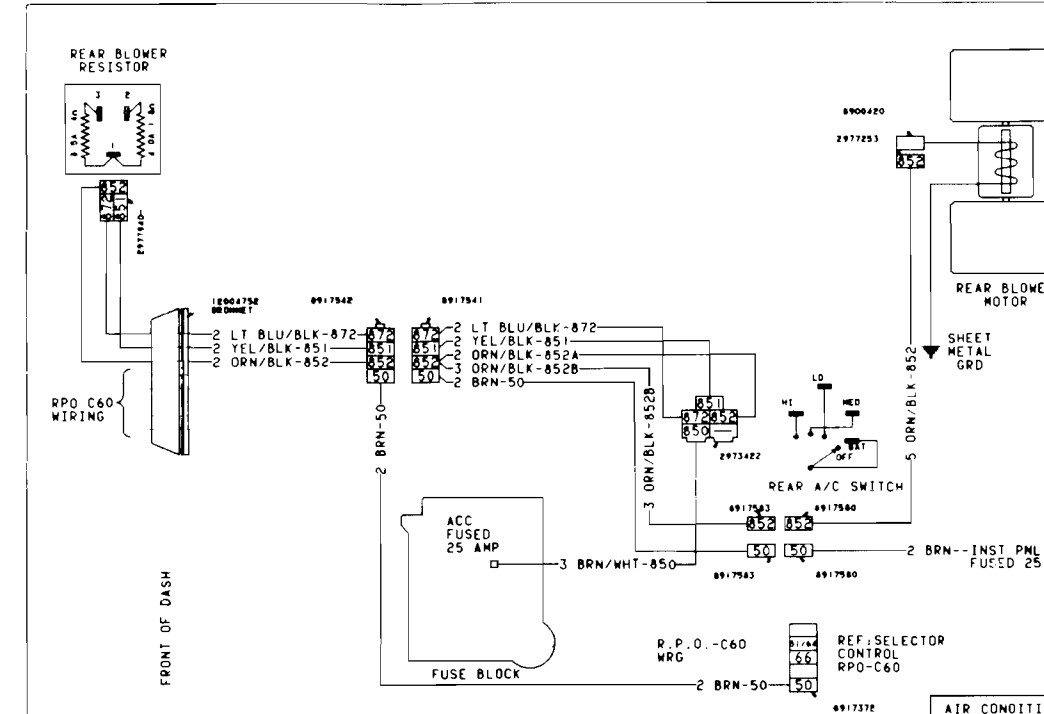
NO SHOWN ON 12004001

PTRUCK 3B

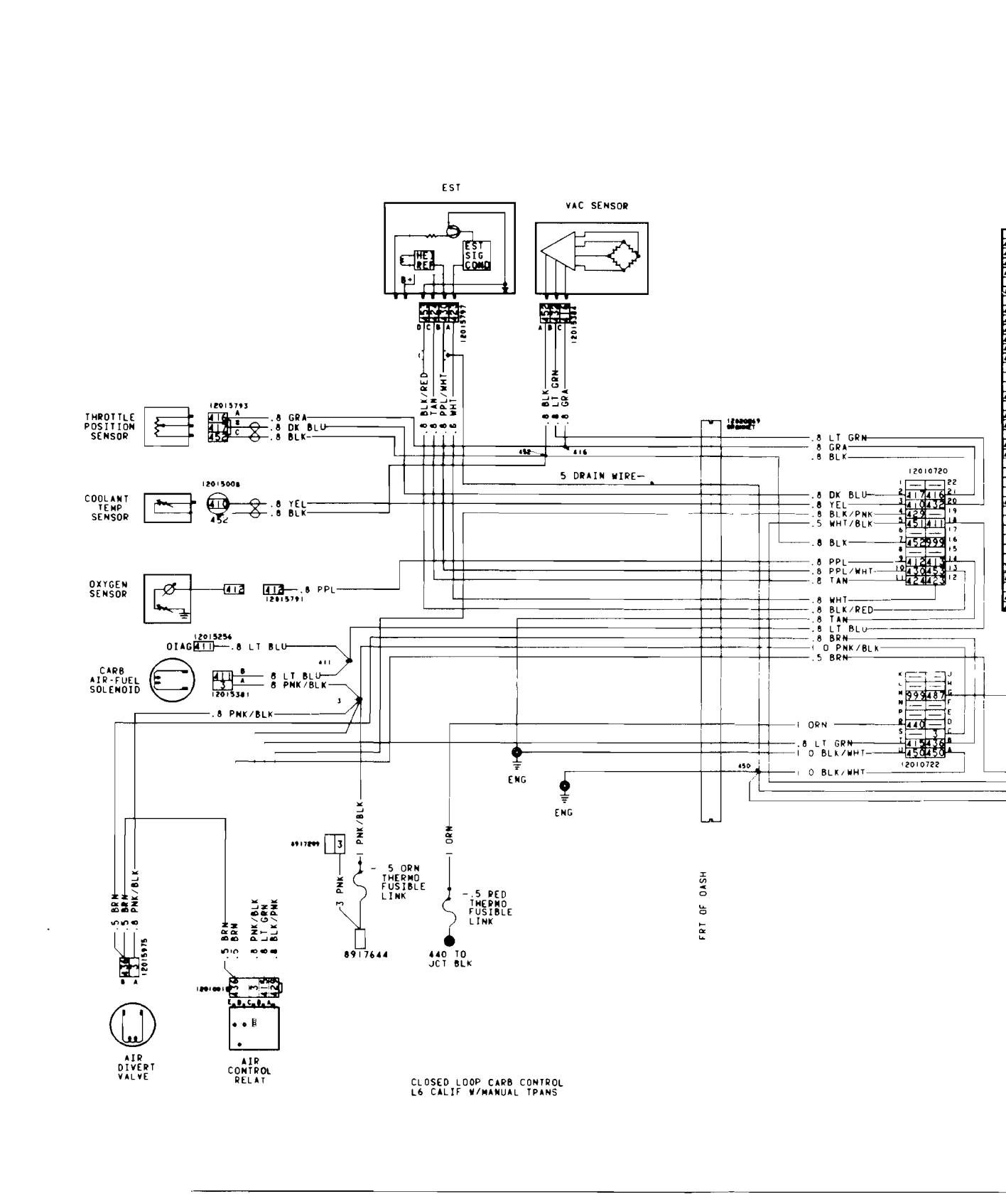




ELECTRICAL SERIES	
CG 1-2-300	TG 1-2-300
BODY STYLE-G ALL	



ELECTRICAL SERIES	
CG 1-2-300	TG 1-2-300
BODY STYLE-G ALL	



ELECTRONIC CONTROL MODULE	
1	NOT USED
2	THROTTLE POS SEN INPUT
3	COOLANT TEMP SEN INPUT
4	AIR CONTROL SOL OUTPUT
5	DIAGNOSTIC ENABLE INPUT
6	NOT USED
7	ANALOG LO INPUT
8	NOT USED
9	OXYGEN SENSOR HI INPUT
10	DISTRIB REF PULSE HI INPUT
11	IGN MODULE BYPASS OUTPUT
12	SPARK TIMING OUTPUT
13	DISTRIB REF PULSE LO INPUT
14	NOT USED
15	OXYGEN SENSOR LO INPUT
16	NOT USED
17	VEHICLE SPEED INPUT
18	HIGH GEAR INPUT
19	CARB FUEL SOL OUTPUT
20	NOT USED
21	MAP OR VAC SENSOR INPUT
22	SW REF TO VOLTAGE OUTPUT
23	NOT USED
24	IGN WIPER GRD TO ENG GRD
25	IGN DIVERTER/SOL. OUTPUT
26	IGN 1 PWR INPUT
27	NOT USED
28	NOT USED
29	NOT USED
30	NOT USED
31	NOT USED
32	NOT USED
33	TORQUE CONVERTER CLUTCH OUTPUT
34	CONTINUOUS BATTERY
35	NOT USED
36	ENRICHMENT AIR
37	ECM PWR GRD TO ENG GRD

1983 G LD CALIF 3 C SYSTEM	
L6 MAN	
BODY STYLE_ALL	

